

BL7000 *Easicode*



Features

- Unique `on the door` code changing
- Free acting handle
- Free passage function
- Fixing compatible with Unican 1000 & 5000 and the BL5000 series
- Stainless steel coding chamber
- Heavy duty specification, ideal for high traffic environments
- Suitable for external applications
- 1 Year guarantee from date of purchase
- Tested to 200,000 cycles
- Easily reversible

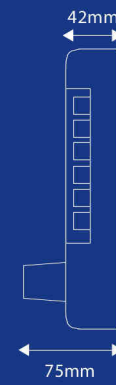
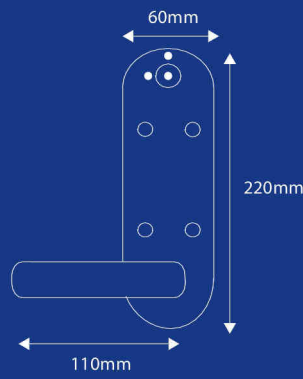
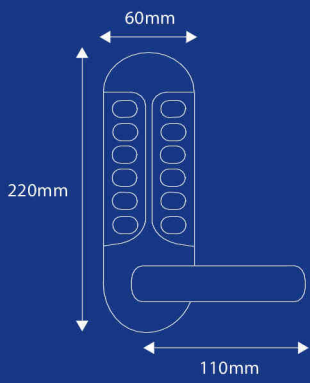


Satin Chrome



Satin Stainless





The BL7000 'Easicode' series is another new range of access controls from Borg offering a host of innovative features. Designed and built to meet a heavy duty specification, which is ideal for high traffic areas. Sharing the same footprint as the Unican 1000 & 5000 as well as our own BL 5000 series, the BL 7000 series is perfect for retro fit solutions. Code changing is completed on the door in a matter of seconds making it ideal for situations where regular code changes are necessary; both code changing and free passage are actuated from the inside handle preventing unauthorised code change attempts. A free access mode and an un-clutched free acting handle complete the BL 7000 series heavy duty specification.

BL7000 - keypad and inside handle only (no locking device)

BL7001 - keypad and inside handle + 60 or 70mm heavy duty tubular latch

BL7003 - keypad and inside handle + 60 x 72mm euro profile lockcase

BL7004 - keypad and inside handle + 60 x 72mm euro profile escape lock

BL7008 - keypad only + special fixings to suit a range of exit devices

BL7009 - keypad and inside handle + 60 x 72mm mortice nightlatch

N.B. If a knob is required the second digit in the product reference changes to 1, i.e. BL 7103.