

BRAMAH

cabinet locks for narrow stiles

Common Applications

- Retail Display Cabinets.
- Jewellery Stores.
- Museums and Galleries.
- Bespoke Cabinets.

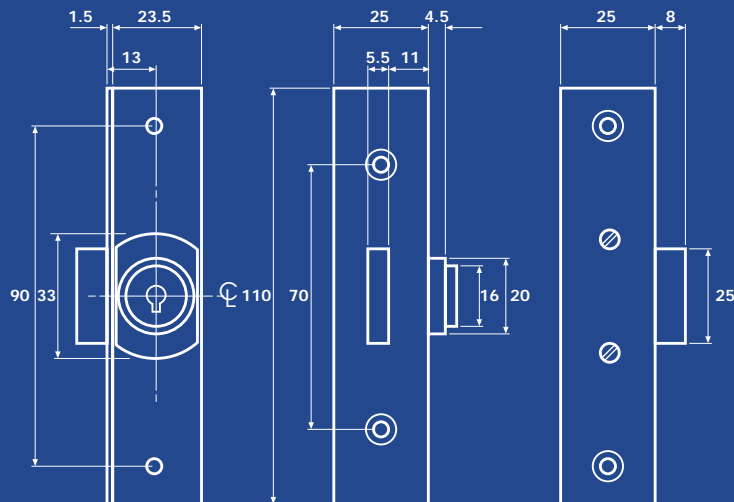
Bespoke Development

- The CAB 17 NS lock was designed and built for installation in narrow stiles.



Other Options

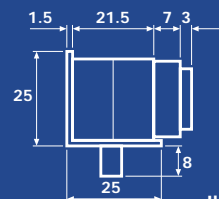
- Other options are available. They include materials and finishing.
- Variations to the size of the standard back plate.
- Stamping with logos or decoration.
- Additional or alternative knurling on the cap.



Options

Options	CAB 17 NS
A1 - Back plate 110mm (w) x 25mm (h)	Standard
B1 - Vertical Throw	Standard
B2 - Left Handed Throw	Standard
B3 - Right Handed Throw	Standard
C1 - Hardened Steel Cap	To Order
C2 - Plain Brass Cap, with front turned down	Standard
C3 - Extended Caps	To Order
D1 - Brass Finish, highly polished	Standard
D2 - Chrome Finish, bright	Standard
D3 - Bronzed Finish	To Order

Options must be specified with each order



Illustrations are half full size
All dimensions in millimetres are approximate

NIGEL ROSE (MARKETING SERVICES) LIMITED
UNIT 10 BRITANNIA INDUSTRIAL PARK
DASHWOOD AVENUE BUCKINGHAMSHIRE HP12 3ES

TELEPHONE 01494 438118 FACSIMILE 01494 532400

E-MAIL nigel@nigelrose

BRAMAH

Made to Order Cabinet Locks

Background

- The standard mechanical Bramah cabinet lock has been manufactured for over 200 years.
- The range today is our interpretation of what the market requires, in terms of all the critical measurements.
- Inevitably, with design aesthetics critical to retail branding, our choices are not always what is required.
- Bramah, therefore, offer to make standard cabinet locks to your design. For us to do this, we need your measurements from the standard lock drawing and check list.
- Please complete and return with your enquiry.
- Cost implications depend on variations to the standard design and volume.

Geometry Checklist

- A** mm Standard
- B** mm Standard Throw
- C** mm minimum 45mm
- D** mm minimum 22.5mm
- E** mm Standard
- F** mm Standard
- G** mm Standard
- H** mm minimum 33mm
- I** mm minimum 45mm
- J** mm Standard
- K** mm minimum 23.5mm
- L** mm Standard
- M** mm minimum 9.5mm

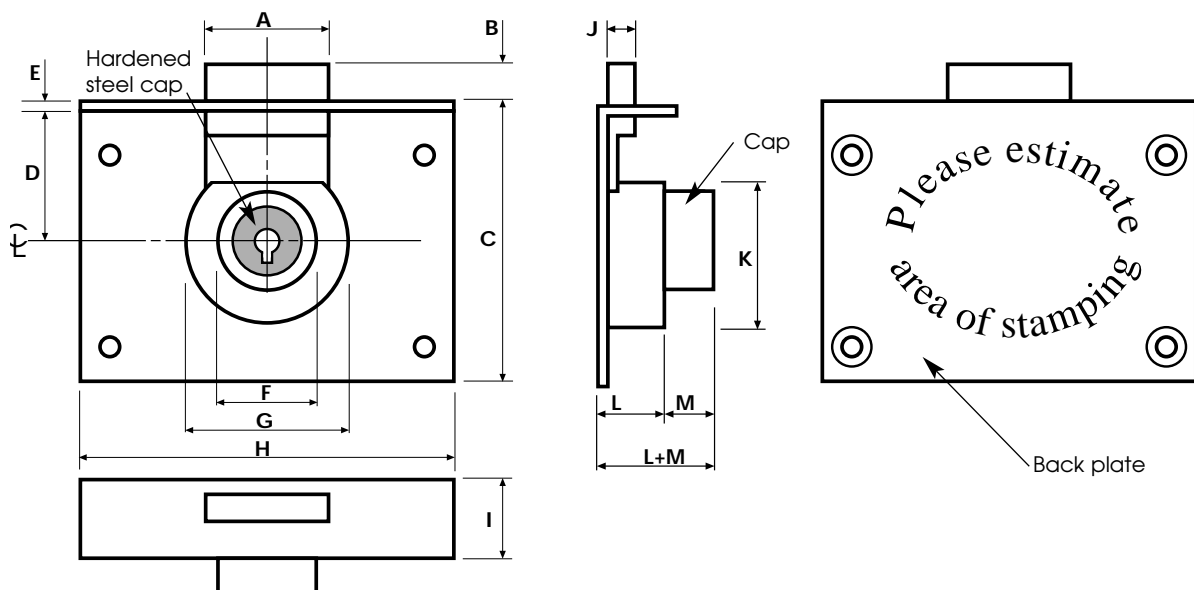
Finishes

- Finished and lacquered brass
- Polished brass
- Satin chrome
- Bright chrome
- Bronze

Options

- Left hand throw (enclose example)
- Right hand throw (enclose example)
- Vertical throw (illustrated below)
- Knurled brass cap
- Hardened steel cap
- Stamping with logo or decoration

Schematic Standard Lock



CABINET LOCKS TO YOUR DESIGN