

BRAMAH

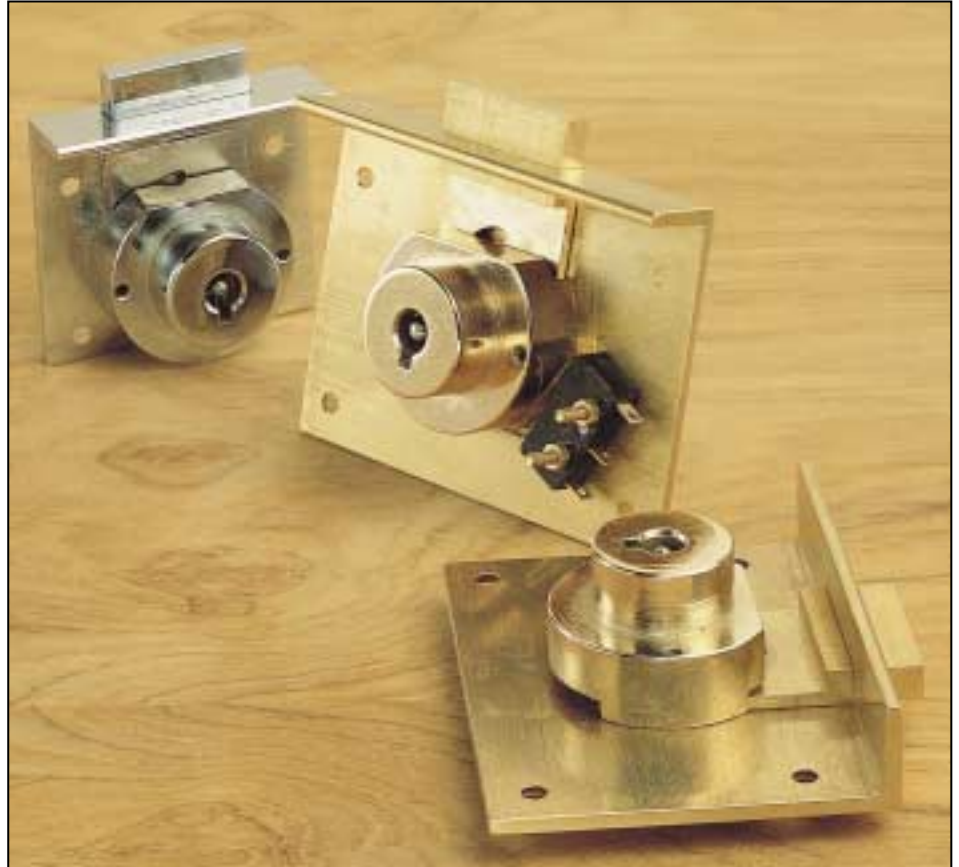


CABINET LOCKS CATALOGUE

STANDARD LOCKS

Common Applications

- Retail Display Cabinets
- Jewellery Stores
- Museums and Galleries
- Office Desks and Cupboards
- Drug storage
- Bespoke Cabinets
- Secure or Safe storage linked to alarms and access control systems



SLAM LOCKS

Common Applications

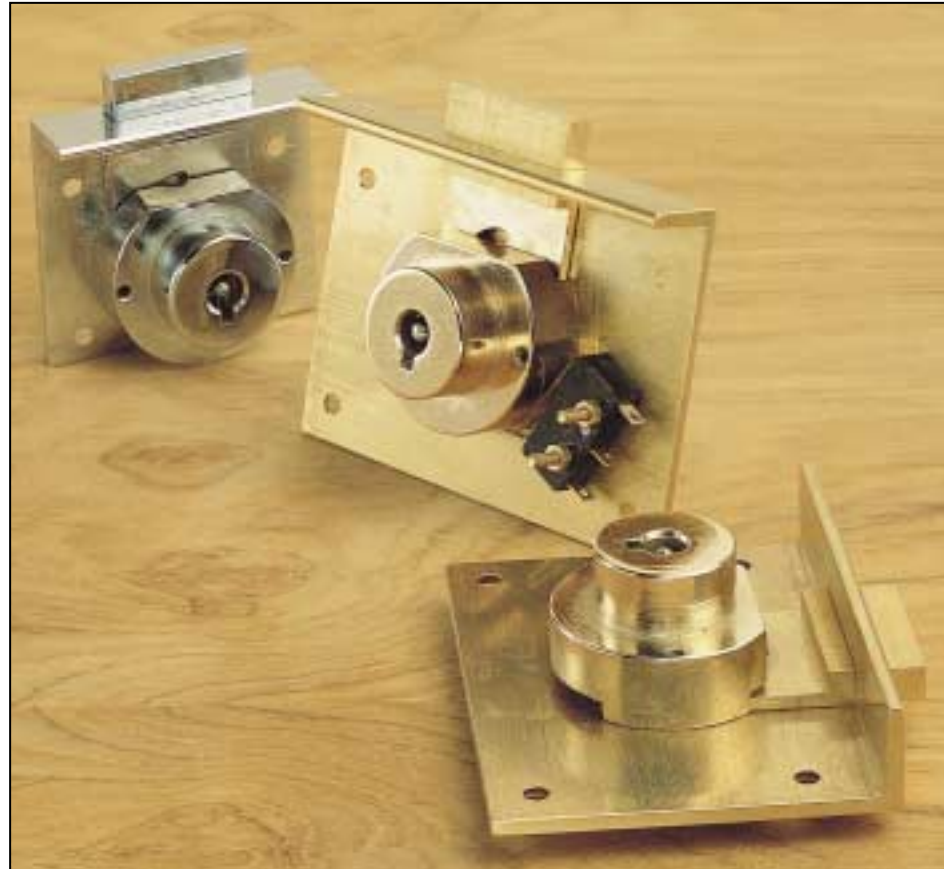
- Retail Display Cabinets.
- Jewellery Stores.
- Museums and Galleries.
- Office Drawers.
- Drug storage.
- Cash Desks.
- Cupboards and Deed Boxes.



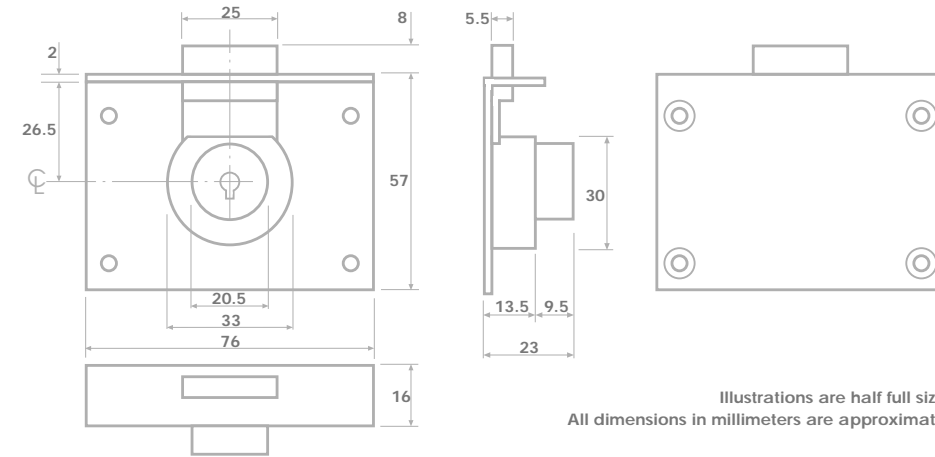
STANDARD LOCKS

Common Applications

- Retail Display Cabinets
- Jewellery Stores
- Museums and Galleries
- Office Desks and Cupboards
- Drug storage
- Bespoke Cabinets
- Secure or Safe storage linked to alarms and access control systems



STANDARD LOCKS



Options	CAB 17	CAB 17A	CAB 17AA
A1 - Back plate 76mm (w) x 57mm (h)	Standard	Standard	Standard
A2 - Back plate 50mm (w) x 45mm (h)	Standard	Not available	Not available
B1 - Vertical Throw	Standard	Standard	Standard
B2 - Left Handed Throw	Standard	Standard	Standard
B3 - Right Handed Throw	Standard	Standard	Standard
C1 - Hardened Steel Cap	Standard	Standard	Standard
C2 - Knurled Brass Cap	Standard	Standard	Standard
C3 - Extended Caps	To Order	To Order	To Order
D1 - Brass Finish, finished and lacquered	Standard	Standard	Standard
D2 - Chrome Finish, bright	Standard	Standard	Standard
D3 - Brass Finish, highly polished	To Order	To Order	To Order

Options must be specified with each order

Bespoke Development

- The Hardened Steel Cap was introduced to counter wear, resulting from a use rate of 40 times per hour in a trading week.

Other Options

- Other options are available. They include materials and finishing.
- Variations to the size of the standard back plate.
- Stamping with logos or decoration.
- Additional or alternative knurling on the cap.
- We shall be pleased to discuss any requirements or alternative specifications.

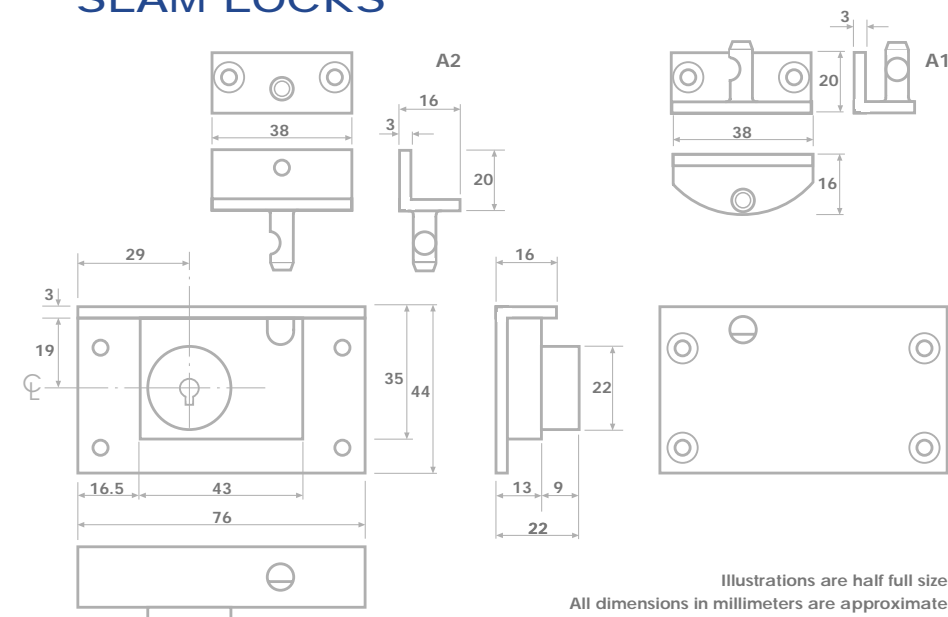
SLAM LOCKS

Common Applications

- Retail Display Cabinets.
- Jewellery Stores.
- Museums and Galleries.
- Office Drawers.
- Drug storage.
- Cash Desks.
- Cupboards and Deed Boxes.



SLAM LOCKS



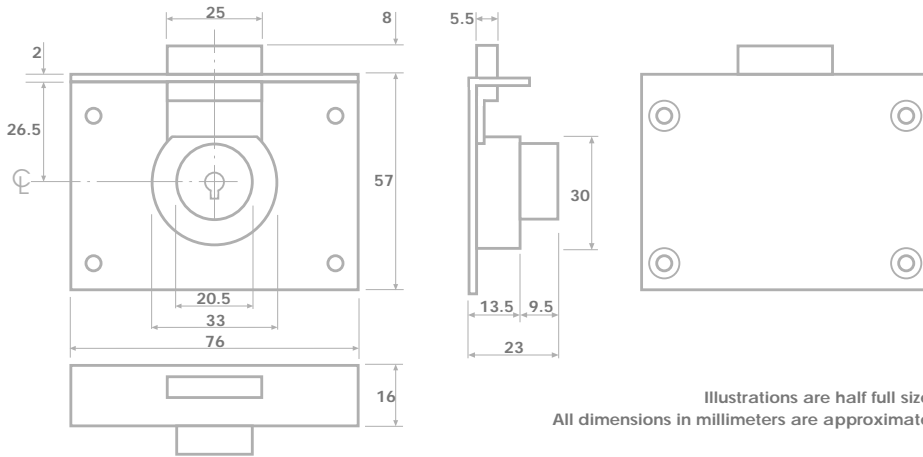
Options	CAB 17SL
A1 - Draw Action	Standard
A2 - Sliding Door Action	Standard
B1 - Brass Finish, finished and lacquered	Standard
B2 - Chrome Finish, matt	Standard

Options must be specified with each order

Bespoke Development

- The CAB 17SL was designed and built for a National Building Society.

STANDARD LOCKS



Illustrations are half full size
All dimensions in millimeters are approximate

Options	CAB 17	CAB 17A	CAB 17AA
A1 - Back plate 76mm (w) x 57mm (h)	Standard	Standard	Standard
A2 - Back plate 50mm (w) x 45mm (h)	Standard	Not available	Not available
B1 - Vertical Throw	Standard	Standard	Standard
B2 - Left Handed Throw	Standard	Standard	Standard
B3 - Right Handed Throw	Standard	Standard	Standard
C1 - Hardened Steel Cap	Standard	Standard	Standard
C2 - Knurled Brass Cap	Standard	Standard	Standard
C3 - Extended Caps	To Order	To Order	To Order
D1 - Brass Finish, finished and lacquered	Standard	Standard	Standard
D2 - Chrome Finish, bright	Standard	Standard	Standard
D3 - Brass Finish, highly polished	To Order	To Order	To Order

Options must be specified with each order

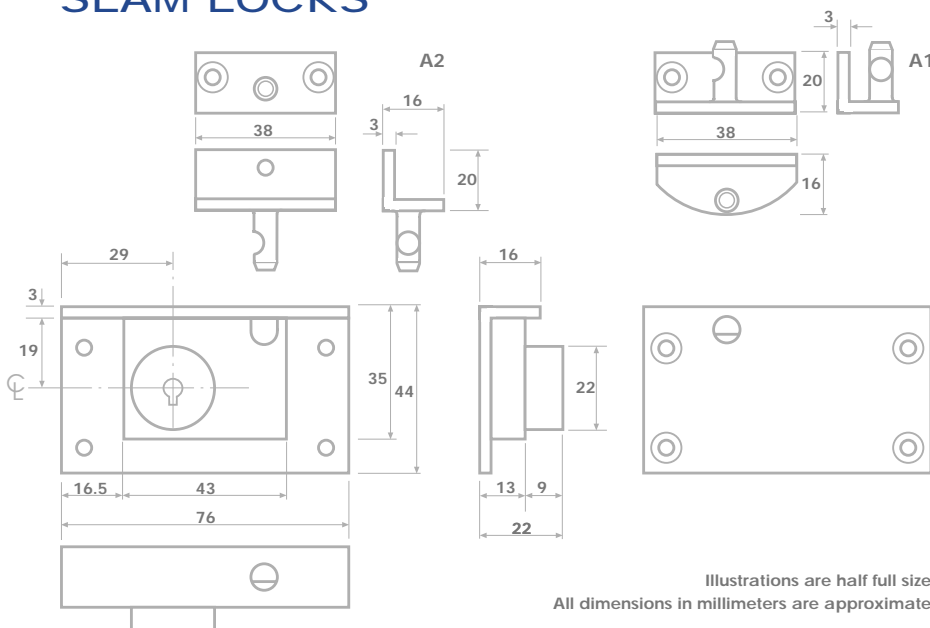
Bespoke Development

- The Hardened Steel Cap was introduced to counter wear, resulting from a use rate of 40 times per hour in a trading week.

Other Options

- Other options are available. They include materials and finishing.
- Variations to the size of the standard back plate.
- Stamping with logos or decoration.
- Additional or alternative knurling on the cap.
- We shall be pleased to discuss any requirements or alternative specifications.

SLAM LOCKS



Illustrations are half full size
All dimensions in millimeters are approximate

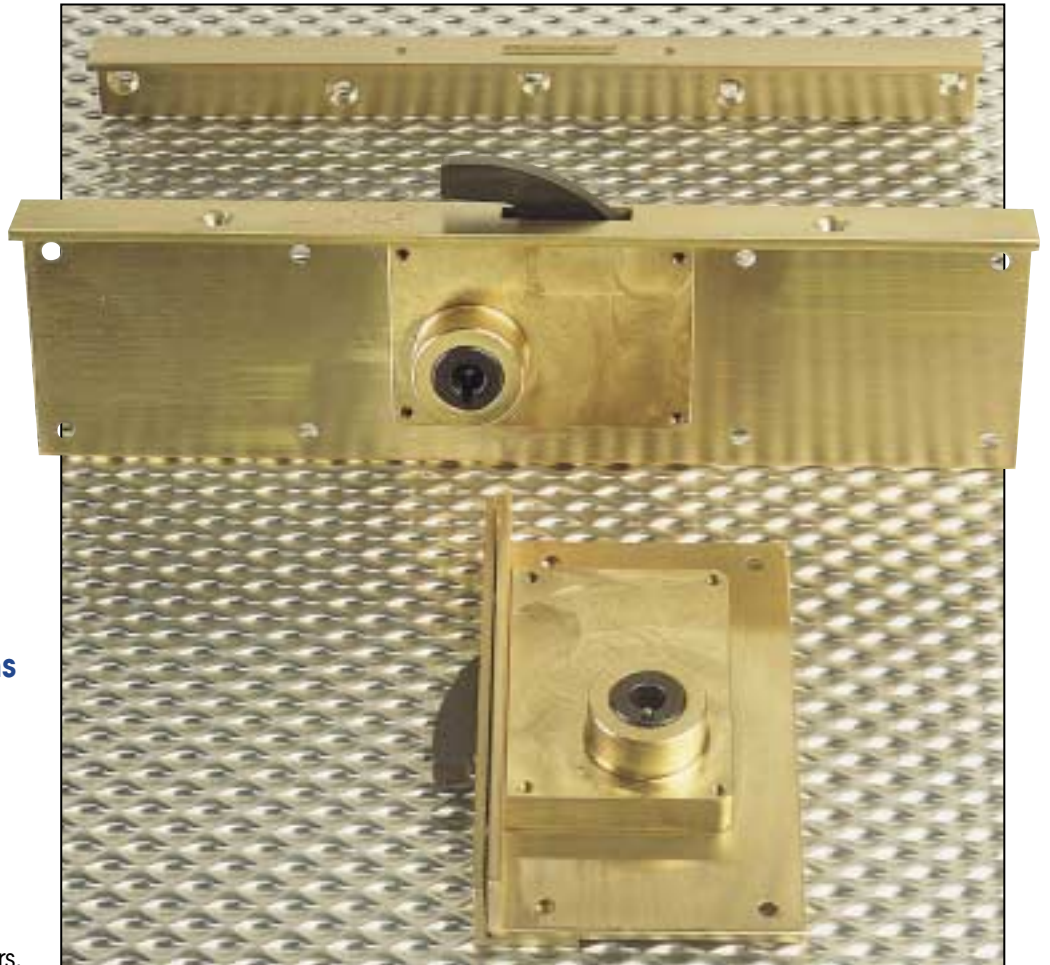
Options	CAB 17SL
A1 - Draw Action	Standard
A2 - Sliding Door Action	Standard
B1 - Brass Finish, finished and lacquered	Standard
B2 - Chrome Finish, matt	Standard

Options must be specified with each order

Bespoke Development

- The CAB 17SL was designed and built for a National Building Society.

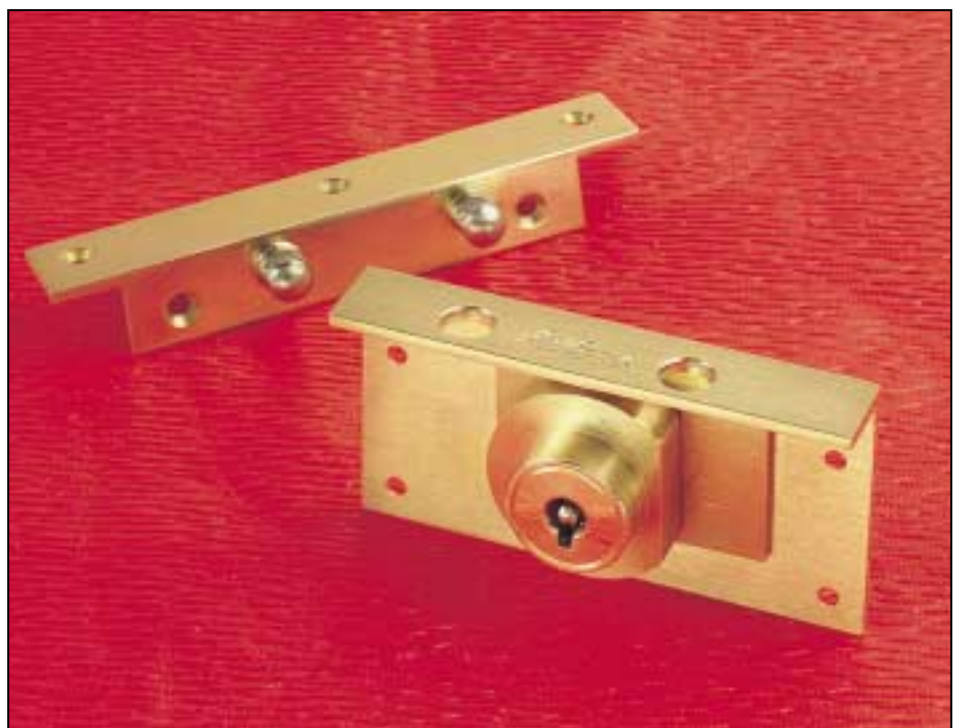
HOOK LOCKS



Common Applications

- Retail Display Cabinets.
- Drug storage.
- Sliding Doors.
- Internal Cupboard Doors to Store Rooms Wine Cellars.

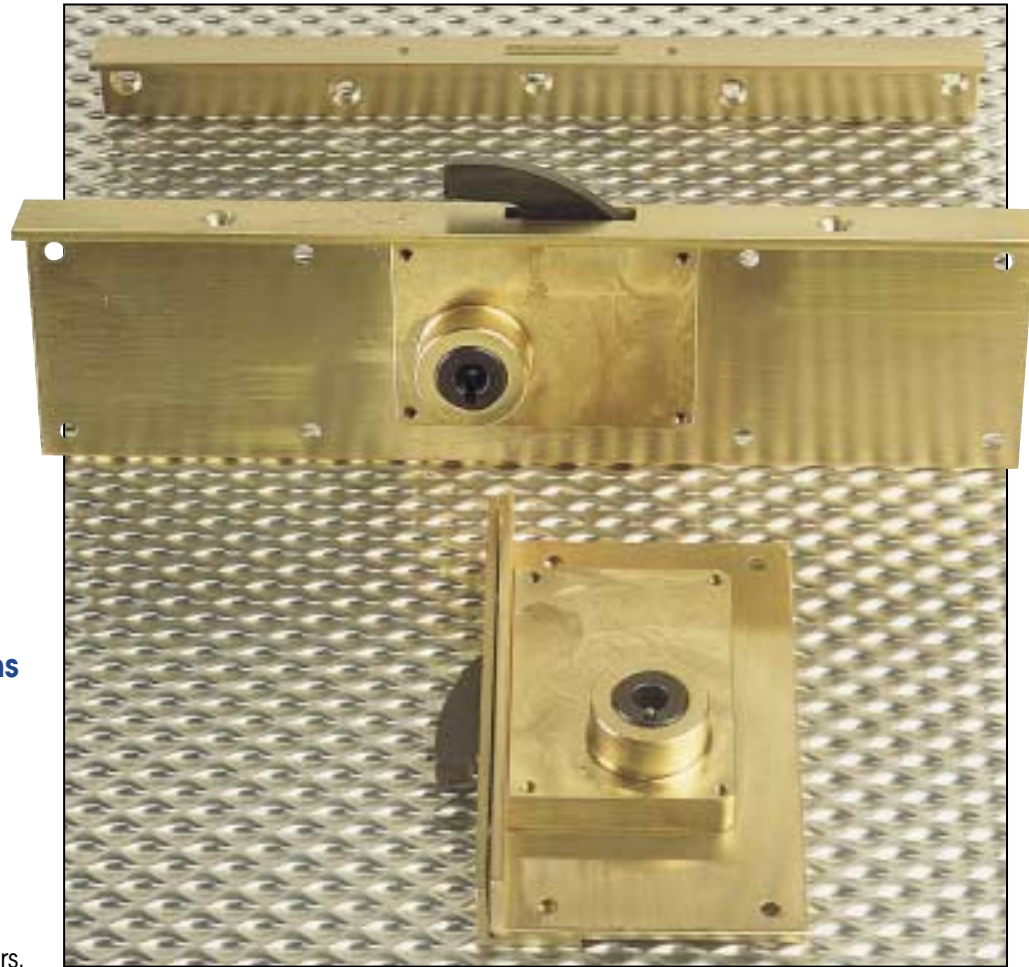
BOX CABINET LOCKS



Common Applications

- Despatch Boxes.
- Deed Boxes.
- Traditional lift up Retail Display Lids.

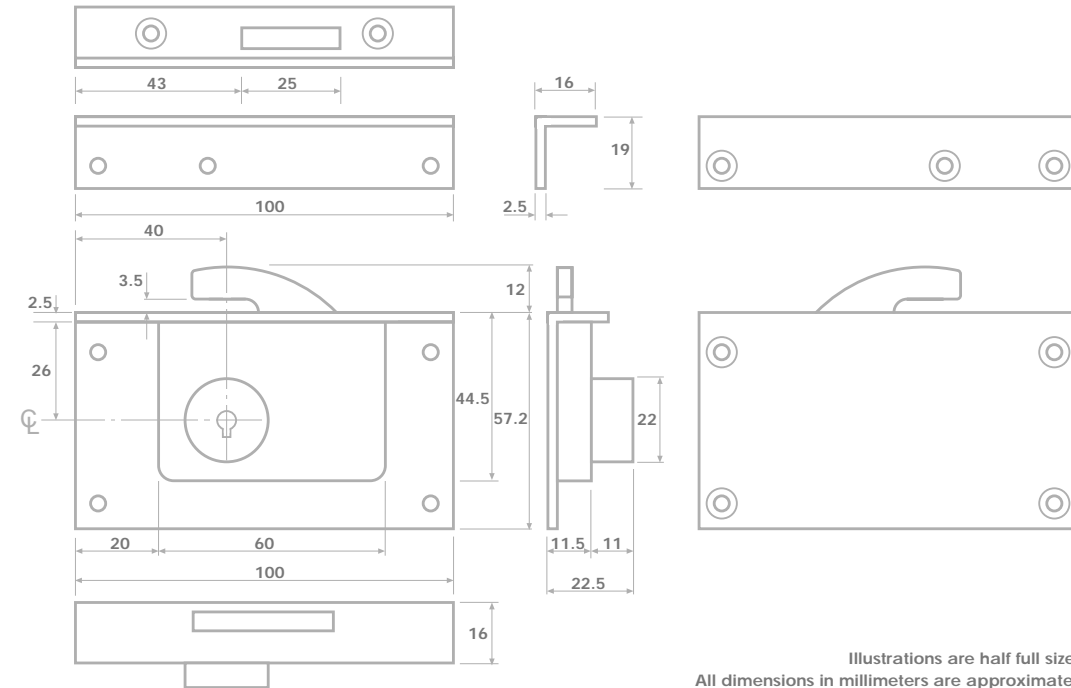
HOOK LOCKS



Common Applications

- Retail Display Cabinets.
- Drug storage.
- Sliding Doors.
- Internal Cupboard Doors to Store Rooms Wine Cellars.

HOOK LOCKS



Illustrations are half full size
All dimensions in millimeters are approximate

Options

- A1** - Back plate 200mm (w) x 57.2mm (h)
- A2** - Back plate 100mm (w) x 57.2mm (h)
- B1** - Vertical Throw
- B2** - Left Handed Throw
- B3** - Right Handed Throw is B2 fitted upside down
- C1** - Brass Nozzle with Hardened Steel Insert, blackened
- D1** - Brass Finish, finished and lacquered

CAB 17HOOK

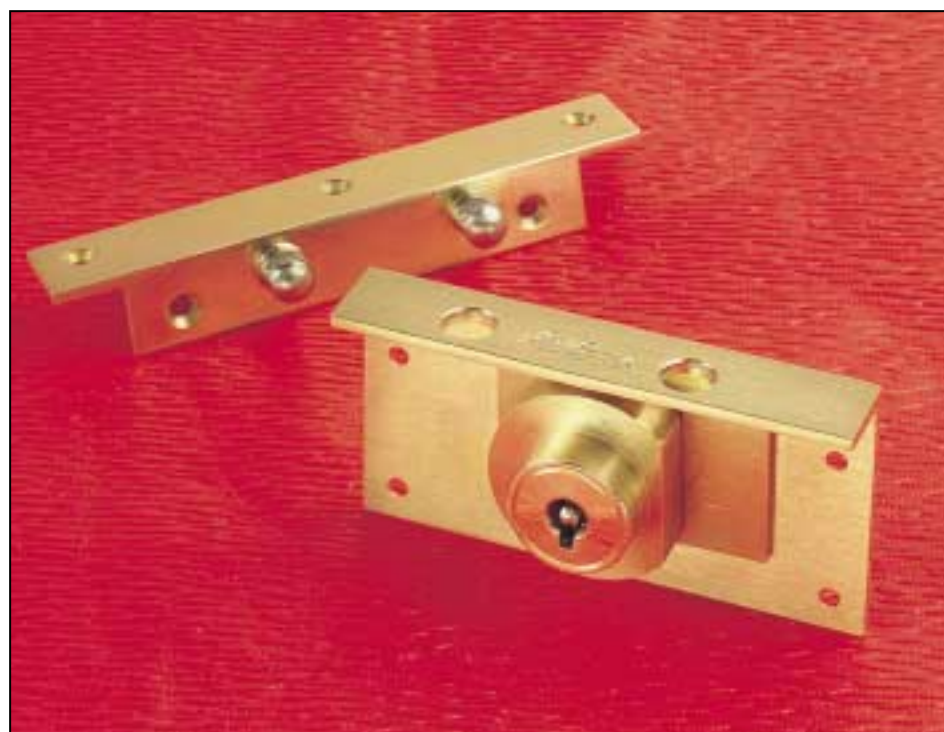
- Standard
- Standard
- Standard
- Standard
- Standard
- Standard
- Standard

Options must be specified with each order

Bespoke Development

- The CAB 17HOOK lock, with options A1 and C1, was designed and developed for Argos Distributors Limited.

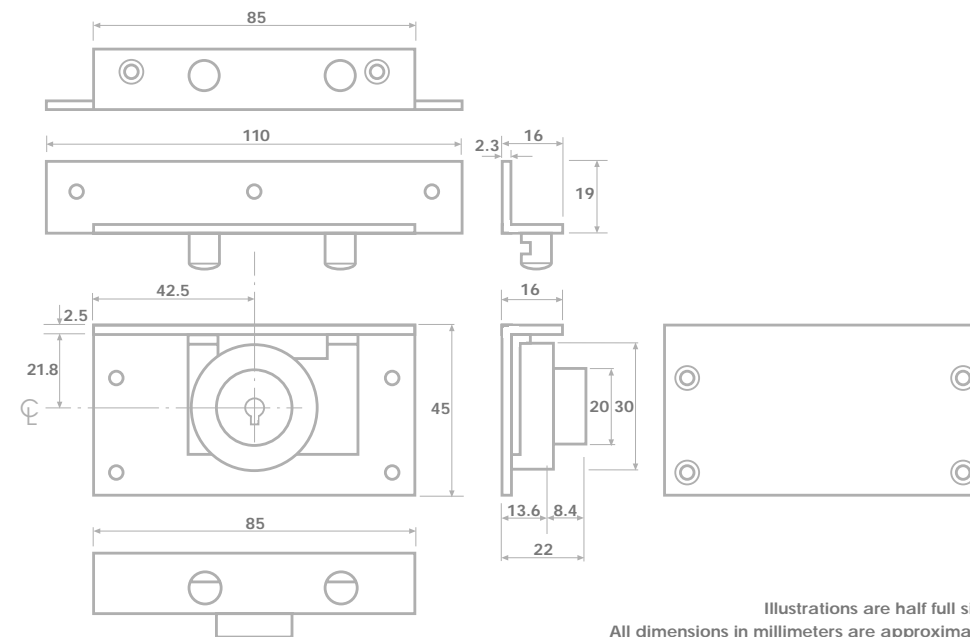
BOX CABINET LOCKS



Common Applications

- Despatch Boxes.
- Deed Boxes.
- Traditional lift up Retail Display Lids.

BOX CABINET LOCKS



Illustrations are half full size
All dimensions in millimeters are approximate

Options

- A1** - Knurled Brass Cap
- A2** - Brass Finished, finished and lacquered

CAB 17BOX

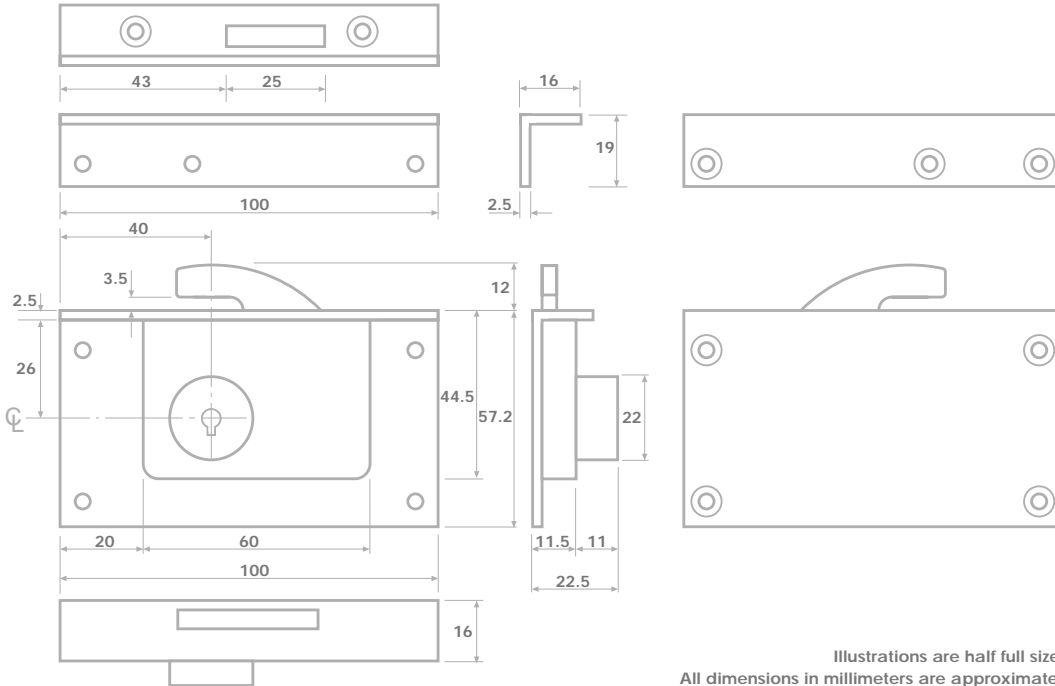
- Standard
- Standard

Options must be specified with each order

Bespoke Development

- The CAB 17BOX lock was designed and built for a quality leather goods manufacturer.

HOOK LOCKS



Illustrations are half full size
All dimensions in millimeters are approximate

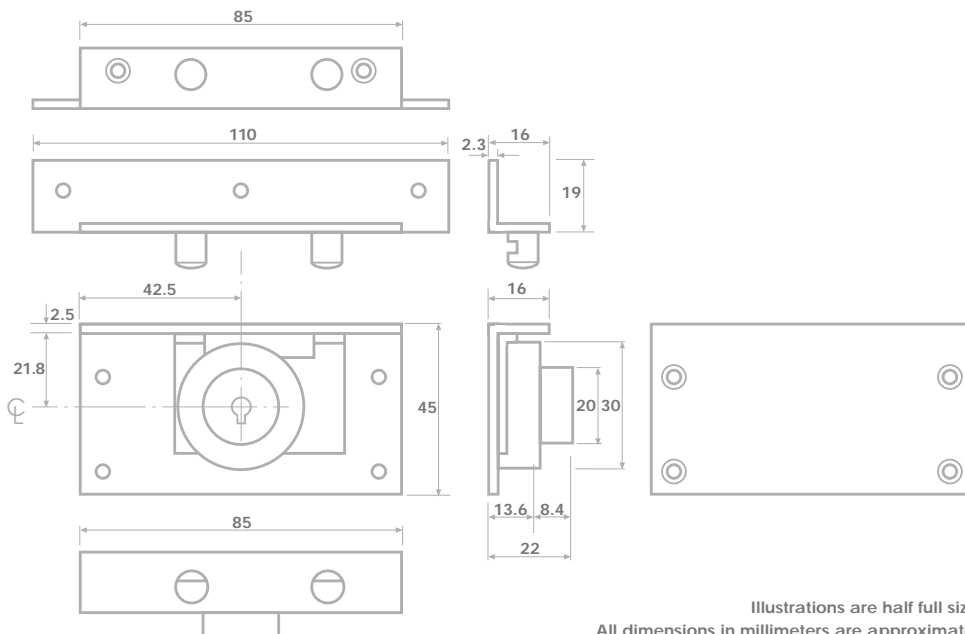
Options	CAB 17HOOK
A1 - Back plate 200mm (w) x 57.2mm (h)	Standard
A2 - Back plate 100mm (w) x 57.2mm (h)	Standard
B1 - Vertical Throw	Standard
B2 - Left Handed Throw	Standard
B3 - Right Handed Throw is B2 fitted upside down	Standard
C1 - Brass Nozzle with Hardened Steel Insert, blackened	Standard
D1 - Brass Finish, finished and lacquered	Standard

Options must be specified with each order

Bespoke Development

- The CAB 17HOOK lock, with options A1 and C1, was designed and developed for Argos Distributors Limited.

BOX CABINET LOCKS



Illustrations are half full size
All dimensions in millimeters are approximate

Options	CAB 17BOX
A1 - Knurled Brass Cap	Standard
A2 - Brass Finished, finished and lacquered	Standard

Options must be specified with each order

Bespoke Development

- The CAB 17BOX lock was designed and built for a quality leather goods manufacturer.

PUSH LOCK



Common Applications

- Retail Display Cabinets with Glass or Wooden Sliding Doors.

KEYS



Bramah Cabinet Keys

The standard Bramah cabinet keys are polished stainless, ringbow or coinbow, with a 37mm (1½") shank length.

Longer keys can be supplied as standard up to a shank length of 230mm (9") and special length keys are also available to order.

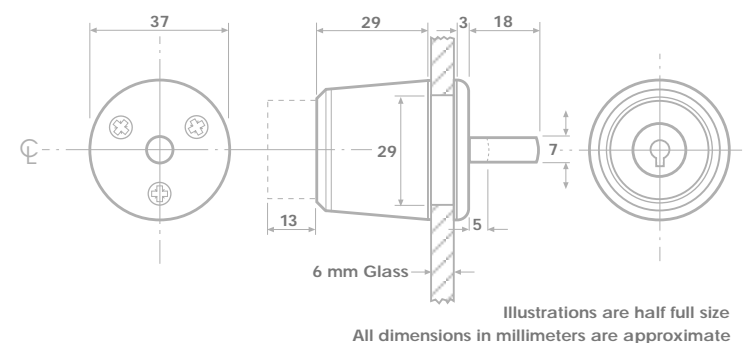
PUSH LOCK



Common Applications

- Retail Display Cabinets with Glass or Wooden Sliding Doors.

PUSH LOCKS



Options	CAB 17PSH
A1 - 25mm Cone for 6mm to 10mm glass	Standard
A2 - 14mm Cone for 17mm to 21mm wood	Standard
A3 - 5mm Rose for 26mm to 30mm wood	Standard
B1 - 24mm Bolt to be used when gap is 3mm	Standard
B2 - 30mm Bolt to be used when gap is 10mm	Standard
B3 - 36mm Bolt to be used when gap is greater than 10mm	Standard
C1 - Chrome Finish, polished	Standard
C2 - Brass Finish	Standard

Options, thickness of glass or wood doors and the gap between them, must be specified with each order

Bespoke Development

- The CAB 17PSH was designed and developed for Argos Distributors Limited as a result of losses from glass display cabinets.

KEYS



Bramah Cabinet Keys

The standard Bramah cabinet keys are polished stainless, ringbow or coinbow, with a 37mm (1 1/2") shank length.

Longer keys can be supplied as standard up to a shank length of 230mm (9") and special length keys are also available to order.

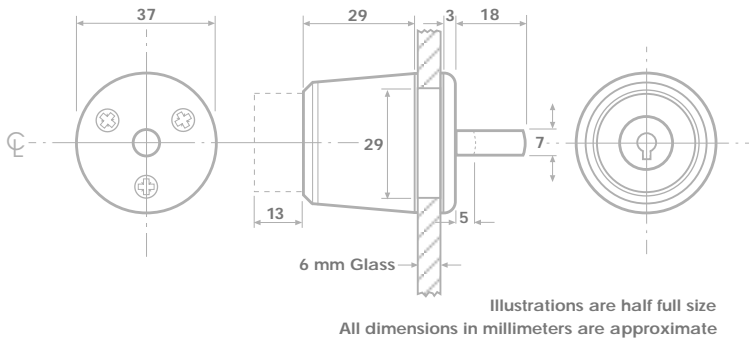
OTHER INFORMATION

Replacement Keys

All registration cards are maintained in 31 Oldbury Place, London W1M 3AP by Bramah Security Centres Ltd. They have the responsibility to turn all correctly authorised keys around within 48 hours. All additional key orders should be sent addressed to the key department. Enquiries as to procedure should be placed on 020 7935 7147.

Old Bramah Locks

All old Bramah locks are serviced by Bramah Security Centres Ltd and where possible repaired, opened and new keys cut. This is a specialised service using historic and occasionally temperamental equipment. We will always quote for work in this area but it does take time. In addition new locks when essential can be made to a pattern. At all times please dispatch goods to us under insured post. Enquiries as to procedure should be placed on 020 7935 7147.



Options	CAB 17PSH
A1 - 25mm Cone for 6mm to 10mm glass	Standard
A2 - 14mm Cone for 17mm to 21mm wood	Standard
A3 - 5mm Rose for 26mm to 30mm wood	Standard
B1 - 24mm Bolt to be used when gap is 3mm	Standard
B2 - 30mm Bolt to be used when gap is 10mm	Standard
B3 - 36mm Bolt to be used when gap is greater than 10mm	Standard
C1 - Chrome Finish, polished	Standard
C2 - Brass Finish	Standard

Options, thickness of glass or wood doors and the gap between them, must be specified with each order

Bespoke Development

- The CAB 17PSH was designed and developed for Argos Distributors Limited as a result of losses from glass display cabinets.

OTHER INFORMATION

Replacement Keys

All registration cards are maintained in 31 Oldbury Place, London W1M 3AP by Bramah Security Centres Ltd. They have the responsibility to turn all correctly authorised keys around within 48 hours. All additional key orders should be sent addressed to the key department. Enquiries as to procedure should be placed on 020 7935 7147.

Old Bramah Locks

All old Bramah locks are serviced by Bramah Security Centres Ltd and where possible repaired, opened and new keys cut. This is a specialised service using historic and occasionally temperamental equipment. We will always quote for work in this area but it does take time. In addition new locks when essential can be made to a pattern. At all times please dispatch goods to us under insured post. Enquiries as to procedure should be placed on 020 7935 7147.

"Jagger demonstrated how to attack various locks. Bramah locks, used for diamond safes, were by far the most difficult. The pins move horizontally through the lock and it is impossible to pick."

SPYCATCHER, PAGE 40, PETER WRIGHT



Joseph Bramah
REGD TRADE MARK

NIGEL ROSE (MARKETING SERVICES) LIMITED
UNIT 10 BRITANNIA INDUSTRIAL PARK
DASHWOOD AVENUE BUCKINGHAMSHIRE HP12 3ES
TELEPHONE 01494 438118 FACSIMILE 01494 532400
E-MAIL nigel@nigelrose.freeserve.co.uk