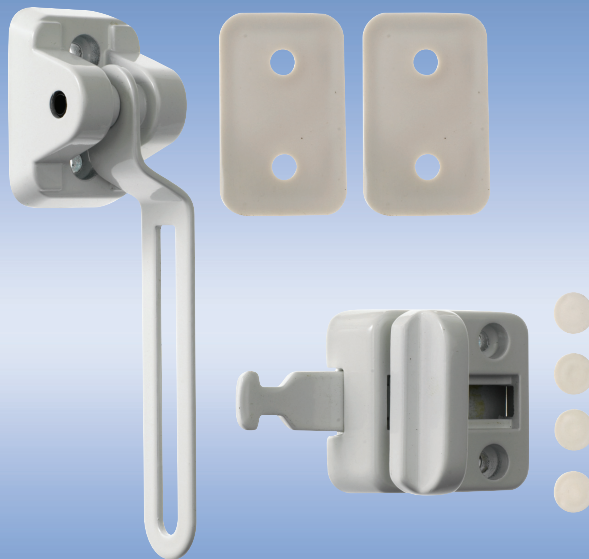


The **ERA Sash Jammer** is ideal additional security for PVCu windows. It is simple to operate and easy to fit, and is non-handed for use on all applications. It is available as a standard product or with a key lock to secure the arm in place when the window is closed. If the home is left unoccupied for any length of time the key lock is ideal to ensure the windows are completely protected. The **ERA Sash Jammer** can also be fitted to a door, to provide excellent additional security.

The **ERA Ventilation Lock** has been designed especially for PVCu windows and doors. With its shaped and robust styling the ventilation lock is an excellent home safety device allowing the window to be opened for air flow but remain locked preventing entry through the window. It is simple and easy to use with no key required. It can be used on PVCu doors in the same way that a door chain is used, but as there is no chain, the door will not be scratched. As the product is non-handed it can be used for inward and outward opening doors. The ventilation lock is available in white and two different packing pieces are provided to cater for the differing heights between the leaf and frame.



**SASH JAMMER AND LOCK**



**VENTILATION LOCK**

## ORDERING DETAILS

### Sash Jammer - Pre-Packed

White (includes lock)	<b>816-12</b>
Brown (includes lock)	<b>816-22</b>

### Sash Jammer - Bulk

White - Body only	<b>816-15</b>
White - Lock only	<b>817-15</b>
Brown - Body only	<b>816-25</b>
Brown - Lock only	<b>817-25</b>

### 2mm Packer for Sash Jammer

White	<b>818-16</b>
-------	---------------

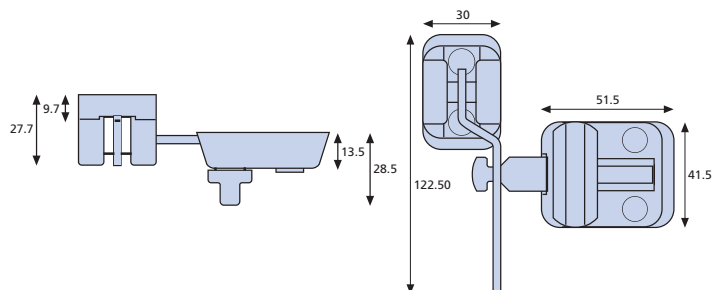
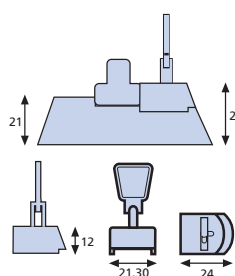
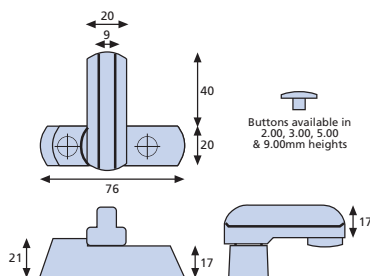
### Ventilation Lock

White	<b>812-12</b>
White - Bulk	<b>812-15</b>
Brown	<b>812-22</b>
Brown - Bulk	<b>812-25</b>

Sash Jammer

Sash Jammer Lock

Ventilation Lock



# PVCu WINDOW LOCKS

The **PVCu Snaplock** increases the security on PVCu windows. The product takes its name from the simple operation that allows it to 'snap' into place and 'lock' quickly and easily.

No fitting jig is required because it screws into existing installations and supplements the locking devices that are in place already. This versatile product can be fitted to open-in or open-out windows and can be fixed securely to both reinforced and non-reinforced sections. It is also suitable for upgrading security on PVCu doors.

The lock and handle are combined into one unit on the PVCu Snaplock and with both keyed and keyless versions available, it couldn't be simpler to use. The Key version has 100 key variations. Screws and full fitting instructions are supplied, making DIY installation straightforward.

## ORDERING DETAILS

### PVCu Snaplock - Keyless Window Lock

White	<b>830-12</b>
Brown	<b>830-22</b>

### PVCu Snaplock - Keyed Window Lock

White	<b>832-12</b>
Brown	<b>832-22</b>

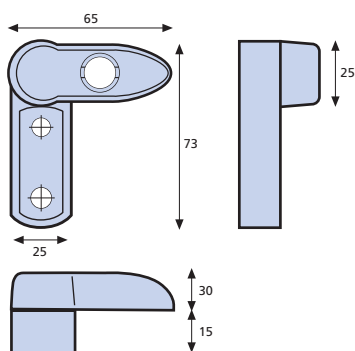


**PVCu SNAPLOCK - KEYLESS**

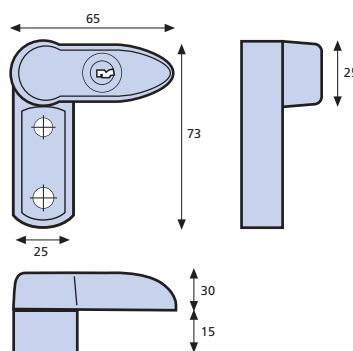


**PVCu SNAPLOCK - KEYED**

Keyless Window Lock



Keyed Window Lock



All dimensions in mm.