

1.1 Glutz Secaport

Product profile

Tested to DIN 18257-ES1-R-ZA (2003-03)
EN 1906 resistance class 2 (2002-05)
For burglar resistant doors according to
ENV 1627 - 1630 WK 1+2 (1999-01)

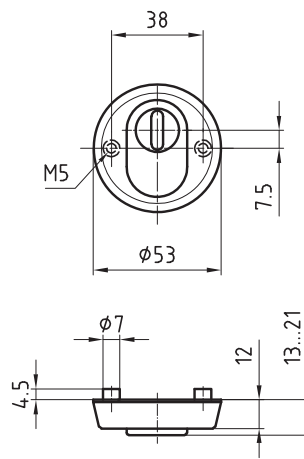
Standard version

- **Outside rose 5330.3S-ZA**
- Solid satin stainless steel
- ϕ 53 mm
- Projection 12 mm
- With threaded cam M5
- Cylinder cover 9-16 mm
- **Inside rose to clip 5330.3C**
- Satin stainless steel
- ϕ 53 mm
- Projection 8 mm
- With guided cam M5
- Fixing centres 38 mm

Options

- Polished stainless steel
- RAL lacquered
- PVD lacquered

Stainless steel cylinder protection rose ES 1 5330.3S-ZA



5630S
Stainless steel rose 12
mm

5330S
Stainless steel cylinder
protection rose ES 1

5330.2S-RS
Stainless steel cylinder
protection rose ES 1

5330.2S-ZA
Stainless steel cylinder
protection rose ES 1

1.1 Glutz Secaport

Product profile

Tested to DIN 18257-ES1-R (2003-03)
EN 1906 resistance class 2 (2002-05)
For burglar resistant doors according to
ENV 1627 - 1630 WK 1+2 (1999-01)

Standard version

- **Outside rose 5330S**
- Solid satin stainless steel
- ϕ 53 mm
- Projection 12 mm
- With threaded cam M5
- **Inside rose to clip 5330C**
- Satin stainless steel
- ϕ 53 mm
- Projection 8 mm
- With guided cam M5
- Fixing centres 38 mm

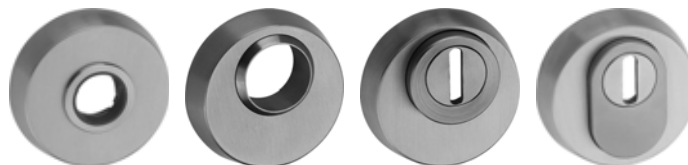
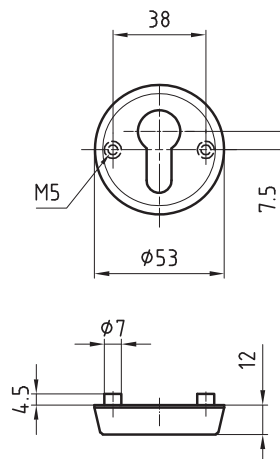
Cutout

- 5330.2 RZ round cylinder
- 5330.3 PZ profil cylinder

Options

- Polished stainless steel
- RAL lacquered
- PVD lacquered

Stainless steel cylinder protection rose ES 1 5330S



5630S
Stainless steel rose 12
mm

5330.2S-RS
Stainless steel cylinder
protection rose ES 1

5330.2S-ZA
Stainless steel cylinder
protection rose ES 1

5330.3S-ZA
Stainless steel cylinder
protection rose ES 1

1.1 Glutz Secaport

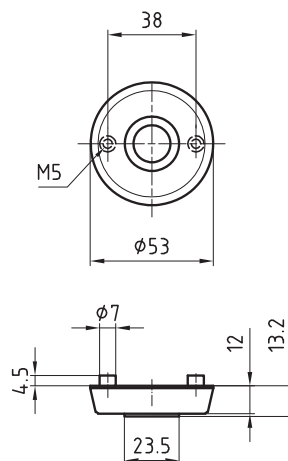
Standard version

- Outside rose 5630S
- Solid satin stainless steel
- ϕ 53 mm
- Projection 12 mm
- With threaded cam M5
- 16 mm guide for Glutz glide
- Inside rose to clip 5630C
- Satin stainless steel
- ϕ 53 mm
- Projection 8 mm
- With guided cam M5
- Fixing centres 38 mm

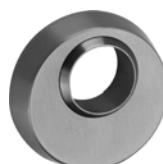
Options

- Polished stainless steel
- RAL lacquered
- PVD lacquered
- 16 mm Glutz needle bearing
- 16 mm twin, semi-outside
- Glutz easyfix[®]
- Knob fixing

Stainless steel rose 12 mm 5630S



5330S
Stainless steel cylinder
protection rose ES 1



5330.2S-RS
Stainless steel cylinder
protection rose ES 1



5330.2S-ZA
Stainless steel cylinder
protection rose ES 1



5330.3S-ZA
Stainless steel cylinder
protection rose ES 1