

1.1 Roses

Standard version

- **Outside rose 5325S**
- Solid satin stainless steel
- \varnothing 53 mm
- Projection 4 mm
- With threaded cam M4
- **Inside rose flat**
- Satin stainless steel
- \varnothing 53 mm
- Projection 8 mm
- Fixing holes M4
- Fixing centres 38 mm

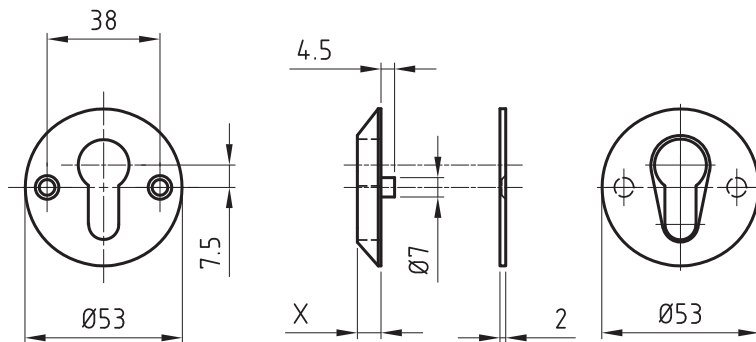
Cutout

- 5325.2 RZ round cylinder
- 5325.3 PZ profil cylinder

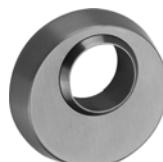
Options

- Polished stainless steel
- RAL lacquered
- PVD lacquered
- **Outside rose**
- Projection 8 mm
- Projection 10 mm
- Projection 12 mm
- Projection 14 mm
- Height 16 mm
- Height 18 mm
- Projection 20 mm
- **Inside rose**
- Projection 2 mm

Stainless steel cylinder protection escutcheon 5325S



5630S
Stainless steel rose 12 mm



5330.2S-RS
Stainless steel cylinder protection rose ES 1



5330.2S-ZA
Stainless steel cylinder protection rose ES 1



5330.3S-ZA
Stainless steel cylinder protection rose ES 1

1.1 Roses

Standard version

- **Outside rose 5325S**
- Solid satin stainless steel
- 32 x 50 mm
- Projection 4 mm
- With threaded cam M4
- **Inside rose flat**
- Satin stainless steel
- 31 x 50 mm
- Projection 2 mm
- Fixing holes M4
- Fixing centres 20 mm

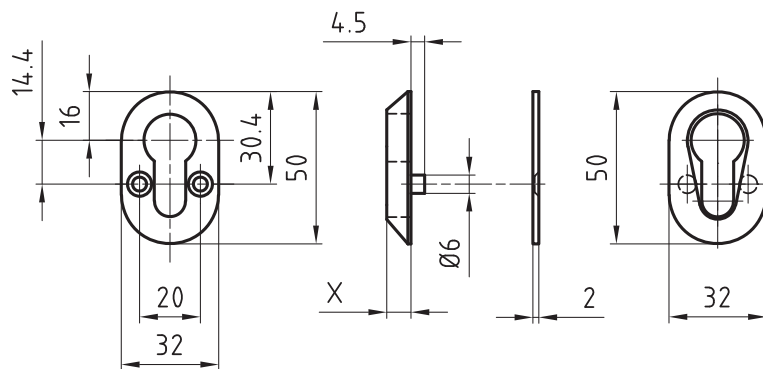
Cutout

- 5326.2 RZ round cylinder
- 5326.3 PZ profile cylinder

Options

- Polished stainless steel
- RAL lacquered
- PVD lacquered
- **Outside rose**
- Projection 6 mm
- Projection 8 mm
- Projection 10 mm
- Projection 12 mm
- Projection 14 mm
- Height 16 mm
- Height 18 mm
- Projection 20 mm

Stainless steel cylinder protection escutcheon 5326S



5311
Stainless steel metal
frame push-on escutcheon



5315
Stainless steel metal
frame push-on escutcheon



5316
Stainless steel metal
frame push-on escutcheon



5317
Stainless steel metal
frame push-on escutcheon