

Glutz

Locking technology and hardware

Secaport



Contents

Security rose ES 1 for Euro profile cylinder	Page 05
Security rose ES 1 for Euro profile cylinder with cylinder guard	Page 06
Security rose ES 1 for round cylinder - protection rose	Page 07
Security rose ES 1 for round cylinder with cylinder guard	Page 08
Door handle rose suitable for security rose ES 1	Page 09
Security plate ES 1 for round cylinder	Page 10
Security plate ES 1 for round cylinder security rose	Page 11
Security plate ES 1 for Euro profile cylinder	Page 12
Security plate ES 1 Euro profile cylinder with cylinder guard	Page 13
Security plate ES 2 height 15mm	Page 14
Security plate ES 3 height 12mm for round cylinder	Page 15
Security plate ES 3 height 12mm for Euro profile cylinder	Page 16
Security plate ES 3 height 15mm	Page 17
Accessories	Page 18

Contents roses



5330.3S
Page 5



5330.3S-ZA
Page 6



5330.2S-RS
Page 7



5330.2S-ZA
Page 8



5630S
Page 9

Contents security plates



5433.2S
Page 10



5430.2S
Page 11



5423.3S
Page 12



5420.3S-ZA
Page 13



5465 / 5467
Page 14



5439.2S-ZA
Page 15



5439.3S-ZA
Page 16



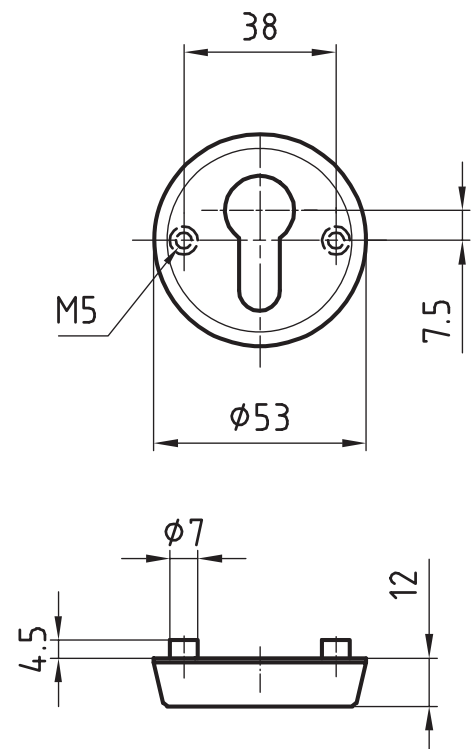
5466 / 5467
Page 17

Stainless steel security rose ES 1

for Euro profile cylinder

Product profile

- Stainless steel security rose 5330S/5330C, tested according to EN 1906:2002 Annex A Class 2
- **Outer rose 5330.3S for Euro profile cylinder**
- Security rose stainless steel height 12mm, $\varnothing 53$ mm with threaded cam M5
- **Inner rose 5330.3C for Euro profile cylinder**
- Rose plate stainless steel height 8mm, $\varnothing 53$ mm baseplate of stainless steel with guide cam M5

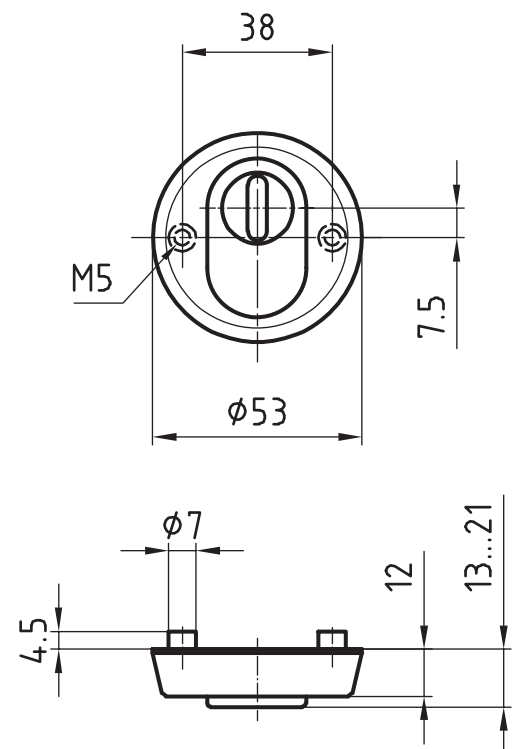


Stainless steel security rose ES 1

for Euro profile cylinder with cylinder guard

Product profile

- Stainless steel security rose 5330S/5330C, tested according to EN 1906:2002 Annex A Class 2
- **Outer rose 5330.3S-ZA for Euro profile cylinder**
- Security rose stainless steel height 12mm, Ø53mm with cylinder guard for cylinder projection 9-16mm with threaded cam M5
- **Inner rose 5330.3C for Euro profile cylinder**
- Rose plate stainless steel height 8mm Ø53mm baseplate of stainless steel with guide cam M5

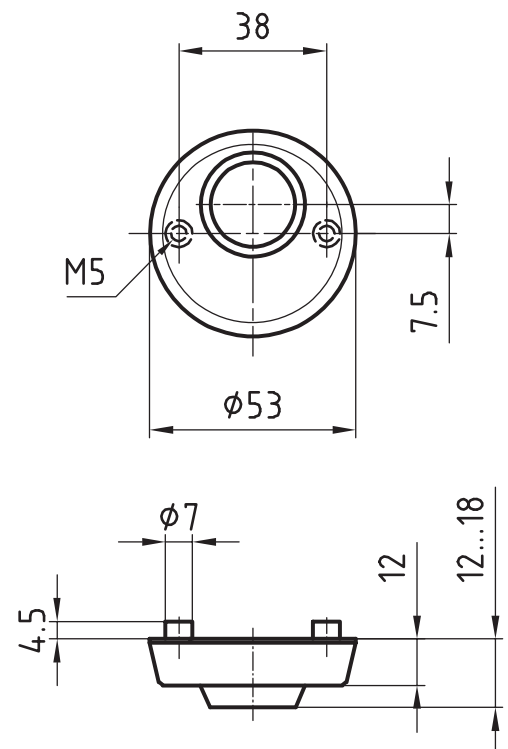
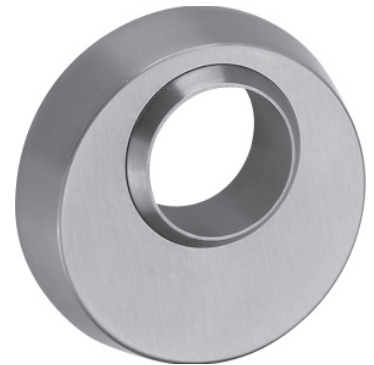


Stainless steel security rose ES 1

with interchangeable round cylinder - protection rose

Product profile

- Stainless steel security rose 5330S/5330C, tested according to EN 1906:2002 Annex A Class 2
- **Outer rose 5330.2S-RS for interchangeable round cylinder protection rose**
- Security rose stainless steel height 12mm, Ø53mm without round cylinder protection rose with threaded cam M5
- **Inner rose 5330.2C for round cylinder**
- Rose plate stainless steel height 8mm, Ø53mm baseplate of stainless steel with guide cam M5.
- **5330 Cylinder protection rose stainless steel**
5330/1 suitable for cylinder projection 7 - 12 mm
5330/2 suitable for cylinder projection 12 - 15 mm
5330/3 suitable for cylinder projection 15 - 18 mm
5330/4 suitable for cylinder projection 18 - 21 mm

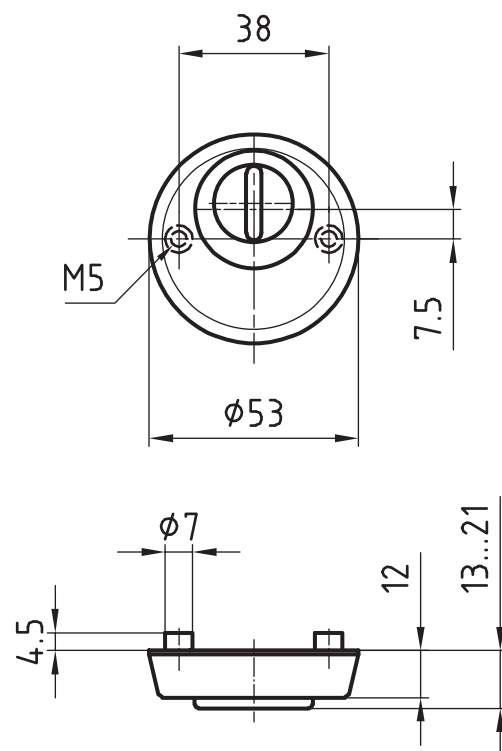


Stainless steel security rose ES 1

for round cylinder with cylinder guard

Product profile

- Stainless steel security rose 5330S/5330C, tested according to EN 1906:2002 Annex A Class 2
- **Outer rose 5330.2S-ZA for round cylinder**
- Security rose stainless steel height 12mm, Ø53mm with cylinder guard for cylinder projection 9-16mm with threaded cam M5
- **Inner rose 5330.2C for round cylinder**
- Rose plate stainless steel height 8mm, Ø53mm baseplate of stainless steel with guide cam M5

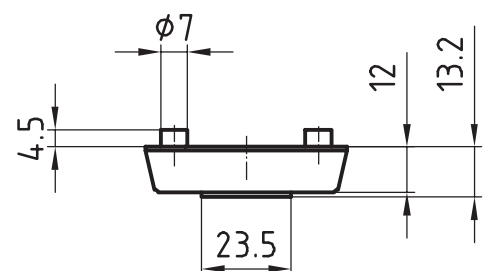
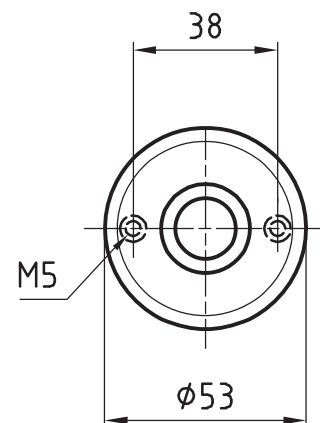


Stainless steel door handle rose 12mm

suitable for security rose ES 1

Product profile

- Stainless steel door handle rose 5630S/5630C
- **Outer rose 5630S for door handle**
- **Outer rose 5630S - easy fix** for door handle fixed mobile
- Rose stainless steel with Glutz glide guide with threaded cam M5
- Compatible with all GLUTZ stainless steel door handles
- **Outer rose 5630S-K 12mm for knob**
- Rose stainless steel for knob fixing with threaded cam M5
- Compatible with all GLUTZ stainless steel knobs
- **Inner rose 5630C for door handle**
- **Inner rose 5630C - easy fix** for door handle fixed mobile
- Rose stainless steel clip-on with Glutz glide guide with guide cam M5
- Compatible with all GLUTZ stainless steel door handles
- **Optional**
 Glutz needle bearing
 Glutz twin glide
 Glutz twin needle bearing

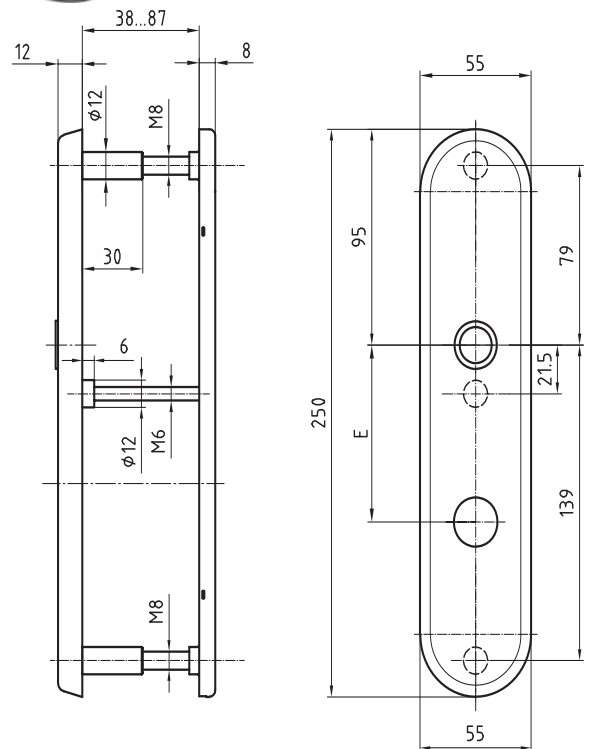


Stainless steel security plate ES 1

for round cylinder

Product profile

- Stainless steel security plate 5433/5435C, 5436C or 5437C, tested according to DIN18257 ES1-L
- **Outer plate 5433.2S for door handle**
- **Outer plate 5433.2S - easy fix** for door handle, fixed mobile
- Baseplate and cylinder guide of zinc, with hardened drilling protection plate, concealed screw-mounted with stainless steel conical cap 12mm
- Compatible with all GLUTZ stainless steel door handles
- **Outer plate 5434.2S for knob**
- Baseplate and cylinder guide of zinc, with hardened drilling protection plate, concealed screw-mounted with stainless steel conical cap 12mm
- Compatible with all GLUTZ stainless steel knobs
- **Inner plate 5435.2C** straight 8mm
- **Inner plate 5435.2C - easy fix** straight 8mm
- **Inner plate 5436.2C** conical 12mm, for SEAvision
- **Inner plate 5436.2C - easy fix** conical 12mm for SEAvision
- **Inner plate 5437.2C** conical 18mm for SEAvision/Powerpack or KABA-elostar
- **Inner plate 5437.2C - easy fix** conical 18mm for SEAvision/Powerpack or KABA-elostar
- Baseplate of galvanised steel, bolt through screws 2xM8, 1xM6 with stainless steel clip-on cap
- Compatible with all GLUTZ stainless steel inner plates
- **Optional**
 Glutz needle bearing
 Glutz twin glide
 Glutz twin needle bearing
- Available in distances (E) RZ 74, 78, 90, 94

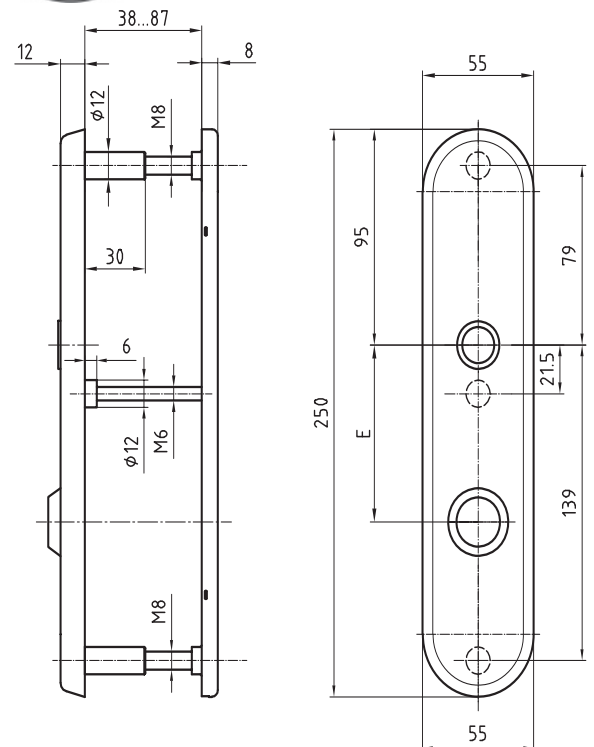


Stainless steel security plate ES 1

with interchangeable cylinder protection rose for round cylinder

Product profile

- Stainless steel security plate 5430/5435C, 5436C or 5437C, tested according to DIN18257 ES1-L
- **Outer plate 5430.2S for door handle**
- **Outer plate 5430.2S - easy fix** for door handle, fixed mobile
- Baseplate and cylinder guide of zinc, with hardened drilling protection plate, concealed screw-mounted with stainless steel conical cap 12mm
- Compatible with all GLUTZ stainless steel door handles
- **Outer plate 5432.2S for knob**
- Baseplate and cylinder guide of zinc, with hardened drilling protection plate, concealed screw-mounted with stainless steel conical cap 12mm
- Compatible with all GLUTZ stainless steel knobs
- **Inner plate 5435.2C** straight 8mm
- **Inner plate 5435.2C - easy fix** straight 8mm
- **Inner plate 5436.2C** conical 12mm, for SEAvision
- **Inner plate 5436.2C - easy fix** conical 12mm for SEAvision
- **Inner plate 5437.2C** conical 18 mm for SEAvision/Powerpack or KABA-elostar
- **Inner plate 5437.2C - easy fix** conical 18mm for SEAvision/Powerpack or KABA-elostar
- Baseplate of galvanised steel, bolt through screws 2xM8, 1xM6 with stainless steel clip-on cap
- Compatible with all GLUTZ stainless steel door handles
- **5431 cylinder protection rosen, stainless steel**
- **5431/1** suitable for cylinder projection 6 - 10 mm
- **5431/2** suitable for cylinder projection 10 - 14 mm
- **5431/3** suitable for cylinder projection 14 - 18 mm
- **5431/4** suitable for cylinder projection 18 - 22 mm
- **5431/5** suitable for cylinder projection 22 - 26 mm
- **5431/6** suitable for cylinder projection 26 - 29 mm
- **Optional**
- Glutz needle bearing
- Glutz twin glide
- Glutz twin needle bearing
- Available in distances (E) RZ 74, 78, 90, 94

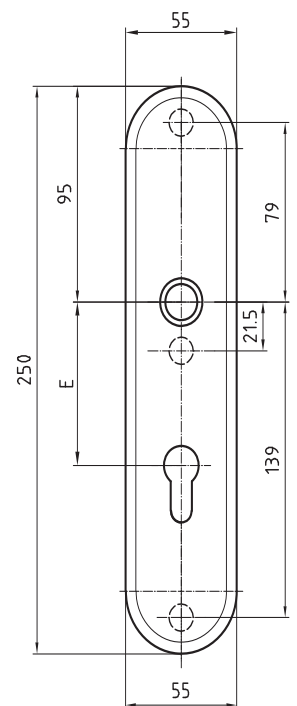
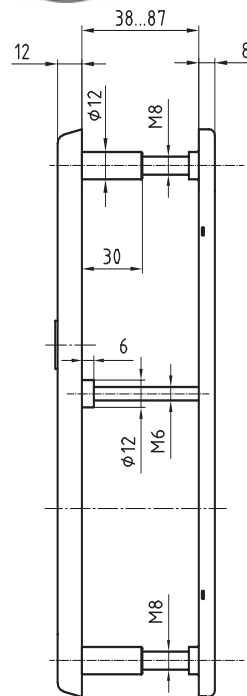


Stainless steel security plate ES 1

for Euro profile cylinder

Product profile

- Stainless steel security plate 5423/5435C tested according to DIN18257 ES1-L
- **Outer plate 5423.3S for door handle**
- **Outer plate 5423.3S - easy fix** for door handle, fixed mobile
- Baseplate and cylinder guide of zinc, with hardened drilling protection plate, concealed screw-mounted with stainless steel conical cap 12mm
- Compatible with all GLUTZ stainless steel door handles
- **Outer plate 5424.3S for knob**
- Baseplate and cylinder guide of zinc, with hardened drilling protection plate, concealed screw-mounted with stainless steel conical cap 12mm
- Compatible with all GLUTZ stainless steel knobs
- **Inner plate 5435.3C** straight 8mm
- **Inner plate 5435.3C - easy fix** straight 8mm
- Baseplate of galvanised steel, bolt through screws 2xM8, 1xM6 with stainless steel clip-on cap
- Compatible with all GLUTZ stainless steel door handles
- **Optional**
 Glutz needle bearing
 Glutz twin glide
 Glutz twin needle bearing
- Available in distances (E) PZ 72, 74, 88, 92

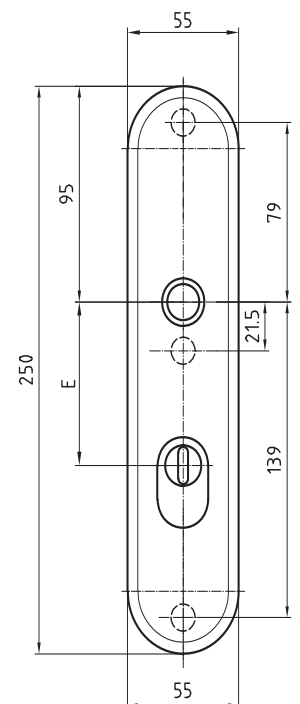
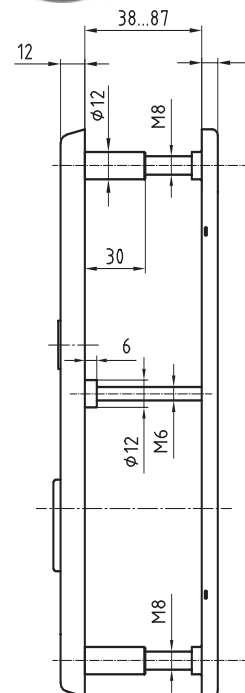


Stainless steel security plate ES 1

for Euro profile cylinder with cylinder guard

Product profile

- Stainless steel security plate 5420/5435C, tested according to DIN18257 ES1-LZA
- **Outer plate 5420.3S-ZA for door handle**
- **Outer plate 5420.3S-ZA - easy fix** for door handle, fixed mobile
- Baseplate and cylinder guide of zinc, with hardened drilling protection plate, concealed screw-mounted with stainless steel conical cap 12mm, cylinder guard for cylinder projection 9-16mm
- Compatible with all GLUTZ stainless steel door handles
- **Outer plate 5422.3S-ZA for knob**
- Baseplate and cylinder guide of zinc, with hardened drilling protection plate, concealed screw-mounted with stainless steel conical cap 12mm, cylinder guard for cylinder projection 9-16mm
- Compatible with all GLUTZ stainless steel knobs
- **Inner plate 5435.3C** straight 8mm
- **Inner plate 5435.3C - easy fix** straight 8mm
- Baseplate of galvanised steel, bolt through screws 2xM8, 1xM6 with stainless steel clip-on cap
- Compatible with all GLUTZ stainless steel door handles
- **Optional**
 Glutz needle bearing
 Glutz twin glide
 Glutz twin needle bearing
- Available in distances (E) PZ 70, 72, 78, 85, 88, 92

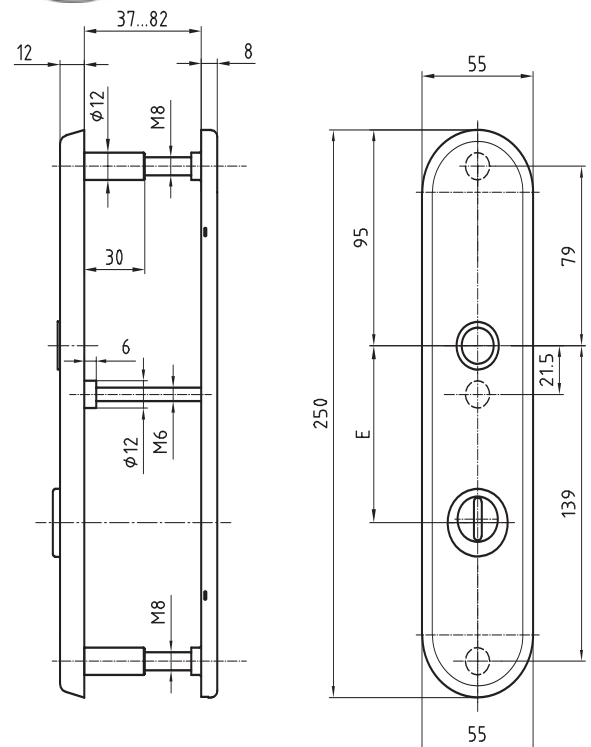


Stainless steel security plate ES 3

height 12mm for round cylinder with cylinder guard

Product profile

- Stainless steel security plate 5439/5435C, tested according to DIN18257 ES3-LZA
- **Outer plate 5439.2S-ZA for door handle**
- **Outer plate 5439.2S-ZA - easy fix** for door handle, fixed mobile
- Of solid stainless steel with 3 threaded sleeves for bolt through fixing 2xM8, 1xM6 Glutz glide guide cylinder guard with hardened drill resistant plate offering protection against pulling for cylinder projection 9-16mm
- Compatible with all Glutz stainless steel door handles
- **Outer plate 5439K.2S-ZA for knob**
- Of solid stainless steel with 3 threaded sleeves for bolt through fixing 2xM8, 1xM6 knob fixing cylinder guard with hardened drill resistant plate offering protection against pulling for cylinder projection 9-16mm
- Compatible with all Glutz stainless steel knobs
- **Inner plate 5435.2C** straight 8mm
- **Inner plate 5435.2C - easy fix** straight 8mm
- Baseplate of galvanised steel for bolt through screws 2xM8, 1xM6 with stainless steel clip-on cap
- Compatible with all GLUTZ stainless steel door handles
- **Optional**
 Glutz needle bearing
 Glutz twin glide
 Glutz twin needle bearing
- Available in distances (E) RZ 74, 78, 94

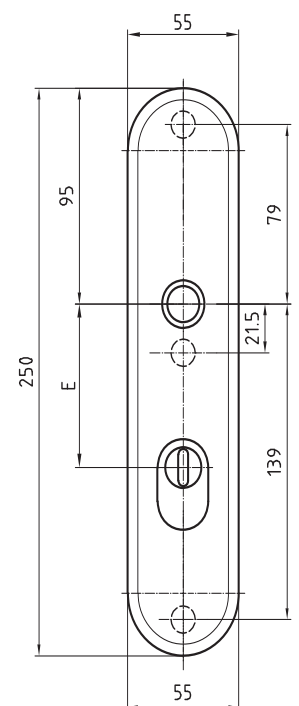
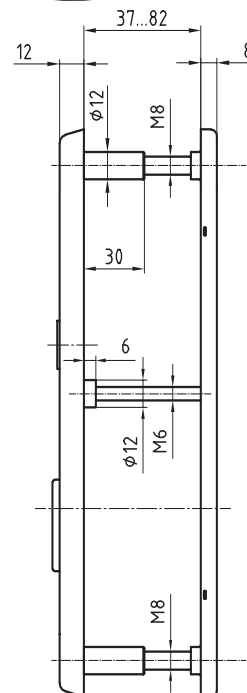


Stainless steel security plate ES 3

height 12mm for Euro profile cylinder with cylinder guard

Product profile

- Stainless steel security plate 5439/5435C, tested according to DIN18257 ES3-LZA
- **Outer plate 5439.3S-ZA for door handle**
- **Outer plate 5439.3S-ZA - easy fix** for door handle, fixed mobile
- Of solid stainless steel with 3 threaded sleeves for bolt through fixing 2xM8, 1xM6 Glutz glide guide cylinder guard with hardened drill resistant plate offering protection against pulling for cylinder projection 9-16mm
- Compatible with all Glutz stainless steel door handles
- **Outer plate 5439K.3S-ZA for knob**
- Of solid stainless steel with 3 threaded sleeves for bolt through fixing 2xM8, 1xM6 knob fixing cylinder guard with hardened drill resistant plate offering protection against pulling for cylinder projection 9-16mm
- Compatible with all Glutz stainless steel knobs
- **Inner plate 5435.3C** straight 8mm
- **Inner plate 5435.3C - easy fix** 8mm
- Baseplate of galvanised steel for bolt through screws 2xM8, 1xM6 with stainless steel clip-on cap
- Compatible with all GLUTZ stainless steel door handles
- **Optional**
 Glutz needle bearing
 Glutz twin glide
 Glutz twin needle bearing
- Available in distances (E) PZ 70, 72, 78, 85, 88, 92

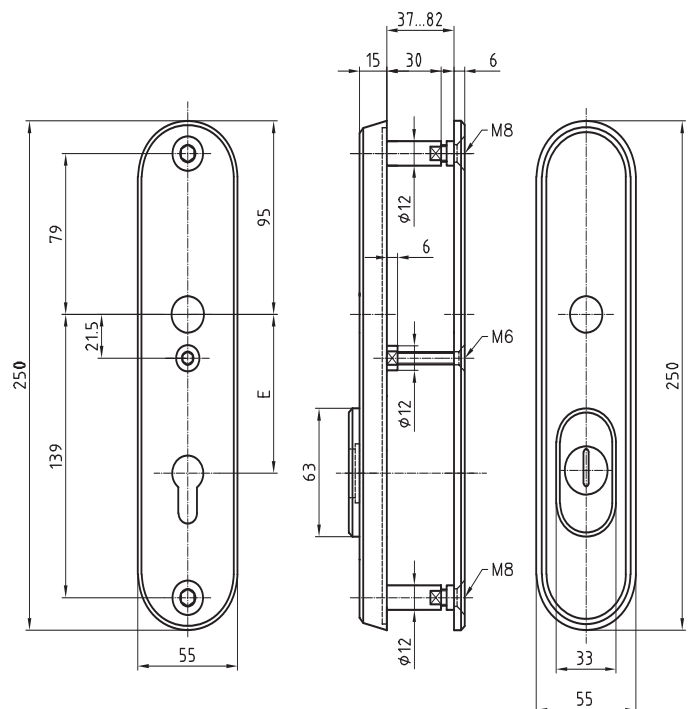


Stainless steel security plate ES 3

height 15mm with cylinder guard

Product profile

- Stainless steel security plate 5466/5467 or 5435 tested according to DIN18257 ES3-LZA
- **Outer plate 5466 for door handle**
- **Outer plate 5466 - easy fix** for door handle, fixed mobile
- Of solid stainless steel with 3 threaded sleeves for bolt through fixing 2xM8, 1xM6, Glutz glide guide cylinder guard of solid stainless steel with hardened drill resistant plate offering protection against pulling, hardened drilling protection plate for the entire plate area
- Compatible with all GLUTZ stainless steel door handles
- **Outer plate 5466K for knob**
- Of solid stainless steel with 3 threaded sleeves for bolt through fixing 2xM8, 1xM6, for knob fixing cylinder guard of solid stainless steel with hardened drill resistant plate offering protection against pulling
- Compatible with all Glutz stainless steel knobs
- **Cylinder guard adjustable**
- **5465/1** for cylinder projection from 7 - 12 mm
- **5465/2** for cylinder projection from 12 - 17 mm
- **5465/3** for cylinder projection from 17 - 22 mm
- **5465/4** for cylinder projection from 22 - 27 mm
- **Inner plate 5467** straight 6mm
- **Inner plate 5467 - easy fix** straight 6mm
- Of solid stainless steel with 3 screw holes for bolt through fixing 2xM8, 1xM6, Glutz glide guide
- Compatible with all Glutz stainless steel door handles
- **Inner plate 5435C** straight 8mm
- **Inner plate 5435C - easy fix** straight 8mm
- Baseplate of galvanised steel for bolt through screws 2xM8, 1xM6 with stainless steel clip-on cap
- Compatible with all Glutz stainless steel door handles
- **Optional**
- Glutz needle bearing
- Glutz twin glide
- Glutz twin needle bearing
- Available in distances (E) PZ 70, 72, 78, 85, 88, 92 RZ 74, 78, 94



Accessories

Drilling template / Screw set

- **Drilling template No. 203**

- For use with plates and roses - adjustable distance.

- **5330 Screw set strength class 10.9**

- **5330-G40** Screw set for door thickness 35 - 40 mm
- **5330-G45** Screw set for door thickness 40 - 45 mm
- **5330-G50** Screw set for door thickness 45 - 50 mm
- **5330-G55** Screw set for door thickness 50 - 55 mm
- **5330-G60** Screw set for door thickness 55 - 60 mm
- **5330-G65** Screw set for door thickness 60 - 65 mm
- **5330-G70** Screw set for door thickness 65 - 70 mm
- **5330-G75** Screw set for door thickness 70 - 75 mm
- **5330-G80** Screw set for door thickness 75 - 80 mm
- **5330-G85** Screw set for door thickness 80 - 85 mm

- **5430-35 / 5465-35 / 5466-35 screw set**

- **5430-G40** Screw set for door thickness 38 - 48 mm
- **5430-G50** Screw set for door thickness 48 - 58 mm
- **5430-G60** Screw set for door thickness 58 - 68 mm
- **5430-G70** Screw set for door thickness 68 - 78 mm
- **5430-G80** Screw set for door thickness 78 - 88 mm

- **5465-67 / 5466-67 screw set**

- **5465-G40** Screw set for door thickness 37 - 47 mm
- **5465-G50** Screw set for door thickness 47 - 57 mm
- **5465-G60** Screw set for door thickness 57 - 67 mm
- **5465-G70** Screw set for door thickness 67 - 77 mm
- **5465-G80** Screw set for door thickness 77 - 87 mm

Notes:

Glutz AG Schweiz

Segetzstrasse 13, 4502 Solothurn, Schweiz
Tel. +41 32 625 65 20, Fax +41 32 625 65 35
glutz@glutz.com, www.glutz.com

Glutz Deutschland GmbH

Hertzstrasse 13, 30827 Garbsen, Deutschland
Tel. +49 5131 95 138, Fax +49 5131 96 689
info@glutz.de, www.glutz.de

Glutz GmbH Österreich

St. Oswaldler Strasse 5c, 4293 Gutau, Österreich
Tel. +43 7946 20506, Fax +43 7946 20506 10
info@glutz.at, www.glutz.at

Glutz UK Ltd.

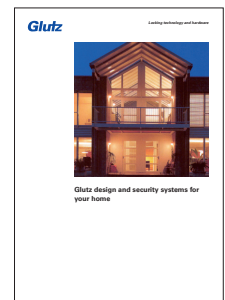
11 Finch Drive, Springwood Industrial Estate
Braintree CM7 2SF, United Kingdom
Tel. +44 1376 348 808, Fax +44 1376 348 848
info@glutz.co.uk, www.glutz.co.uk

Glutz Middle East

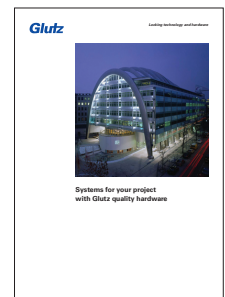
P.O. Box 502, 11383 Riyadh, Kingdom of Saudi Arabia
Tel. +966 1 265 3 976, Fax +966 1 265 3 977
m.kadoumi@glutz.com, www.glutz.com

Glutz Singapore Pte Ltd.

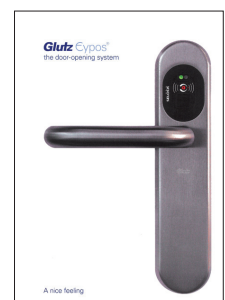
50 Tagore Lane, #02-04, Markono Distri Centre,
Singapore 787 494
Tel. +65 6 55 44 111, Fax +65 6 55 44 610
v.yau@glutz.com, www.glutz.com



Brochure
Residential



Brochure
Project



Brochure
Glutz Eypos®



Brochure
Glutz Infoline®