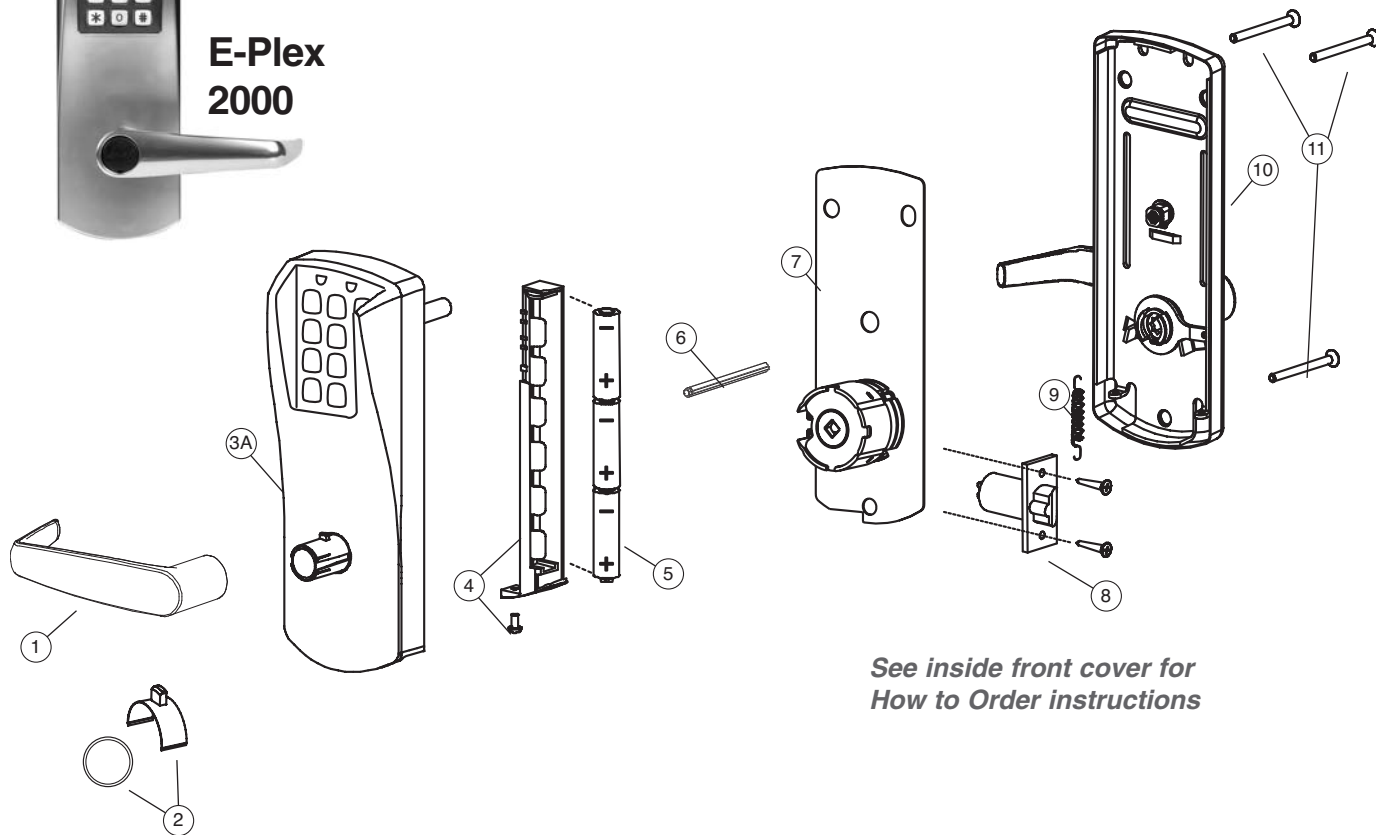




**E-Plex
2000**



*See inside front cover for
How to Order instructions*

Item	Qty/Lock	Description	Finish	Part Number	List Prices (USD)
1	1	Outside Lever, Non-Key Override	Satin Chrome	062-510983M1626	\$75.00
			Satin Brass	062-510983M1606	\$75.00
		Outside Lever, Key Override	Satin Chrome	062-510783-626	\$75.00
			Satin Brass	062-510783-606	\$75.00
2	1	Lever Catch / Bearing (Non-Key Override only)		062-510510-K	\$15.00
3A	1	Outside Housing, Non-Key Override	Satin Chrome	F66/20K010W-626	\$290.00
			Satin Brass	F66/20K010W-606	\$300.00
		Outside Housing, Key Override	Satin Chrome	F66/20E010W-626	\$290.00
			Satin Brass	F66/20E010W-606	\$300.00
4	1	Battery Holder and Screw		118-509978-K	\$20.00
5	5	Batteries, Alkaline AA		132-505601-K	\$15.00
6	1	Spindle - Sold as part of Hardware Pack (Includes #6, #9, #11, Battery Screw)	Satin Chrome	062-510261-626	\$15.00
			Satin Brass	062-510261-606	\$15.00
7	1	Back Plate w/ CDU		C76/001-000	\$75.00
8	1	Latch 1/2" Kit	Satin Chrome	204168-26D-01	\$30.00
			Satin Brass	204168-03-01	\$35.00
9	1	Lever Return Spring - Sold as part of Hardware Pack (Includes #6, #9, #11, Battery Screw)	Satin Chrome	062-510261-626	\$15.00
			Satin Brass	062-510261-606	\$15.00
10	1	Inside Housing	Satin Chrome	B76-C1EN10-626	\$45.00
			Satin Brass	B76-C1EN10-606	\$50.00
11	1	Mounting Screws - Sold as part of Hardware Pack (Includes #6, #9, #11, Battery Screw)	Satin Chrome	062-510261-626	\$15.00
			Satin Brass	062-510261-606	\$15.00

E-Plex 2000 (continued)

Qty/Lock	Description	Finish	Part Number	List Prices (USD)
1	Standard "T" Strike Kit	Satin Chrome	204167-26D-01	\$9.00
		Satin Brass	204167-03-01	\$10.00
1	ASA Strike Kit (4 $\frac{7}{8}$ " long)	Satin Chrome	204119-26D-01	\$9.00
		Satin Brass	204119-03-01	\$10.00
1	Outdoor Kit		062-510180	\$10.00
	Thick Door Kit Upgrade	Satin Chrome	062-510189-626	\$10.00
	(Includes #6, #9, #11, Battery Screw)	Satin Brass	062-510189-606	\$10.00
	Removal Tool (Lever Clip Removal)		138-510576	\$25.00
	Spare Parts Kit, Key Override Model (Includes Spindle (2), turn knob spindle (2), mounting screw (6), battery holder screw (5), battery holder and batteries (3), Allen key $\frac{1}{8}$ ", tool to remove outside lever (1), springs (8), Torx bit, spanner bit, outside Levers (2), Caps (4), Plugs for "K" cores (4))	Satin Chrome	062-511010-3626	\$150.00
	Spare Parts Kit, Key Override Model (Includes Spindle (2), turn knob spindle (2), mounting screw (6), battery holder screw (5), battery holder and batteries (3), Allen key $\frac{1}{8}$ ", tool to remove outside lever (1), springs (8), Torx bit, spanner bit, outside Levers (2), Caps (4), Plugs for "K" cores (4))	Satin Brass	062-511010-3606	\$160.00
	Cylinder Caps, Kaba Logo		062-510804-2	\$10.00
	Cylinder Caps, No Logo		062-510804-1	\$10.00