



- PIN Access
- Electronic Pushbutton Lock
- 100 Access Codes
- Cylindrical

Features

Access Control:	Electronic pushbutton lock—eliminates problems and costs associated with issuing, controlling and collecting keys and cards. Provides exterior access by combination, while allowing free egress.
No Wires:	Requires no wiring to or through the door—eliminates risk of damage from pinched wires that can result in costly callbacks
Locking Device Options:	Cylindrical latch with 3-hour UL/ULC fire rating on "A" labeled doors
Number of Codes:	Multiple Users—100 Codes
Handing:	Non-handed; pre-assembled for left-hand door installations—easily changed in the field
Programming:	Lock is easily programmed via keypad without removing lock from the door
Key Override (Optional):	<ul style="list-style-type: none"> • Optional Key-in-Lever cylinder in Schlage "C" Keyway with black Kaba cap • Small format—Best and equivalent (6 or 7-pin length)
Operation Modes:	<ul style="list-style-type: none"> • PIN access • Passage—can be toggled on/off or can be pre-programmed to re-lock after a certain number of hours • Lockout
Authority Levels:	Four different levels allow you to control who has access to specific lock functions, including: Service Codes—programmed for one-time access or "come-and-go" access for 1-to-24 hours
User Parameters:	Code length—Adjustable to accept 4-to-8 digits Anti-tamper lockout—Adjustable from 3-to-9 invalid attempts with an adjustable period of 0-to-90 seconds Re-lock time—Adjustable from 2-to-20 seconds

Mechanical Features

Construction:	Light-duty commercial cylindrical lockset, solid cast exterior housing, solid cast levers, cylindrical drive wear tested for extensive use in indoor and outdoor applications
Numeric Keypad:	Vandal resistant, solid metal pushbuttons
Handing:	Non-handed, pre-assembled for left hand door installation—easily changed in the field
Finishes:	Satin Chrome 626 (26D) housings and levers, Satin Brass 606 (04) housings and levers (optional)
Backset:	2 ¾" (70 mm) 2 ⅜" (60 mm)
Latch:	½" (13 mm) latch, ¾" (19 mm) latch (Optional)
Minimum Stile Required:	5" (127 mm)
Weight:	8 lbs (3.63 kg)

Key Override Options

Key-in-Lever Cylinder:	Kaba 1539 6-pin cylinder–Schlage "C" Keyway
Interchangeable Core:	Small format–Best and equivalent (6 or 7-pin length); cylinder not included

Installation

Ease of Installation:	No wiring to or through the door–no risk of pinched wires
Door Preparation:	Easily installs on wood or metal doors. ASA 161 door preparation with 3 additional through bore holes
Door Thickness:	1 3/8" (35 mm) to 2 1/2" (64 mm); pre-assembled to accommodate doors 1 5/8" (41 mm) to 2" (50 mm)
Items Supplied Include:	Lock assembly, installation manual, template, and required installation hardware
Additional Items Supplied with Key-in-Lever cylinder model only:	Includes Universal Kaba 1539 6-pin cylinders two nickel silver keys, and Schlage "C" Keyway

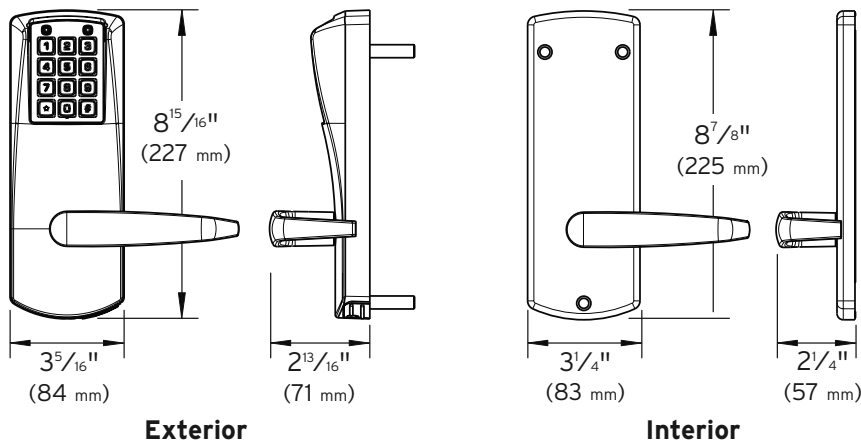
Certification and Testing

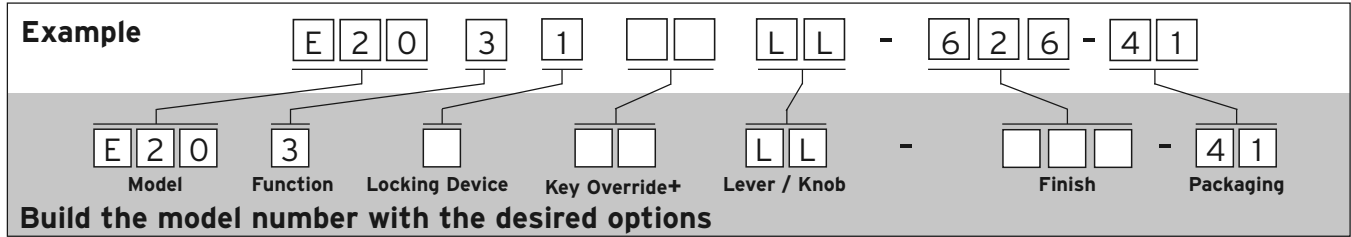
Accessibility Standard:	Americans with Disabilities Act (ADA)
Fire Rating:	UL 10C Fire rated
Environmental:	Indoor/Outdoor Approved; -31° F (-25° C) to +151° F (66° C)

Warranty

Warranty:	2-year warranty from date of installation; built-in warranty counter in lock memory
------------------	---

Cylindrical





Base Model	Description
E2031LL62641	E2000, Cylindrical, No Key Override

Choose one option from each category

Function Options	Description
3	Cylindrical Lock

Locking Device Options	Description
1	Cylindrical ½" (13 mm) throw latch, floating face plate, 2 ¾" (70 mm) backset
2	Cylindrical ½" (13 mm) throw latch, floating face plate, 2 ⅜" (60 mm) backset

Key Override Options+	Description
Blank	Solid Lever without Key Override
XS	Key-in-Lever, Kaba Cylinder (Schlage "C" Keyway) Included
B	Best and Equivalents (6 or 7-pin length); cylinder not included

Lever/Knob Options	Description
LL	Lever-Long

Finish Options	Description
606	Satin Brass (04)
626	Satin Chrome (26D)

Notes

+ Leave blank for solid lever without Key Override

E-PLEX®

E-Plex® 2000 Series Accessories

Model Number	Description
061-510201-630	Door Filler Plate, 14" (356 mm) x 4 5/8" (117 mm) - Stainless Steel
061-510201-906	Door Filler Plate, 14" (356 mm) x 4 5/8" (117 mm) - Satin Brass
061-510362-630	Door Filler Plate, 10 1/16" (256 mm) x 3 3/4" (95 mm) - Stainless Steel
061-510362-906	Door Filler Plate, 10 1/16" (256 mm) x 3 3/4" (95 mm) - Satin Brass
EP2000 ACLMT	E-Plex 2000 Acrylic Mount
203059-000-41	E-Plex 2000 Wood Mount
062-511915	Security Screw Kit (Includes Bit)
204022-000-01	Latch Extension Assembly converts to 3 3/4" (95 mm) Backset
204023-000-01	Latch Extension Assembly converts to 5" (130 mm) Backset
062-510189-626	Thick Door Kit, 2 1/2" - 3 3/4" (64 mm - 95 mm) - Satin Chrome
062-510189-606	Thick Door Kit, 2 1/2" - 3 3/4" (64 mm - 95 mm) - Satin Brass

E-Plex® 3x00 Series Accessories

Model Number Kits	Description
75262-000-01	Deadlatch (E3065) to Deadbolt (E3066) Conversion Kit - Includes cam, template, and instructions
75271-000-01	Deadbolt (E3066) to Deadlatch (E3065) Conversion Kit - includes cam, template, and instructions
64793-626-01	Deadlatch Dress Plate Kit, Covers Old Prep from Simplex 3000, Simplex 3100, Schlage King Cobra, and Trilogy DL1200/1300 - Satin Chrome; Use with E3065 Lock
64793-744-01	Deadlatch Dress Plate Kit, Covers Old Prep from Simplex 3000, Simplex 3100, Schlage King Cobra, and Trilogy DL1200/1300 - Dark Bronze; Use with E3065 Lock
64794-626-01	Dead Lock Dress Plate Kit, Covers Old Prep from Simplex 3000 Simplex 3100, Schlage King Cobra, and Trilogy DL1200/1300 - Satin Chrome; Use with E3066 Lock
64794-744-01	Dead Lock Dress Plate Kit, Covers Old Prep from Simplex 3000, Simplex 3100, Schlage King Cobra, and Trilogy DL1200/1300 - Dark Bronze; Use with E3066 Lock
64802-000-01	E3000 Series Exit Trim Adapter Kit (Fits Arrow 10/51800, Corbin ED5200A, Detex Advantex 10/40, DCI 1200A/1300A, Dorma 9300/F9300, Hager 4700R/4700RF, Precision 2100/FL2100, and Von Duprin 33/35A)

E-Plex® 3x00 Series Accessories (Continued)

Mount	Description
75268-626	E3000 Aluminum Mount Deadlatch - Satin Chrome (E3065 Lock and Adams Rite Hardware Not Included)

E-Plex® 5x00 Series Accessories

Software Model Number	Description
EP 0300-SW	E-Plex 3000/5000 Standard Software (Excel-Based Templates) - 300 Users
EP 3000-SW	E-Plex 5200/5700 Advanced Access Control Software - 3,000 Users
EP Demo 3000-SW	E-Plex 5200/5700 Advanced Access Control Demo Software
EP-FIPS-SW	E-Plex 5800 FIPS Software

Prox Reader Enroller Description

54561-000-41	USB Prox Reader / Enroller
--------------	----------------------------

Proximity Credentials/Tokens Description

065-101066	HID Proxcard II Proximity Access Card #1326M - Not Printable, with slot (minimum order of 100)
065-507143	HID ISO Prox II Card (PVC-31 mils) #1386 - Printable, no slot (minimum order of 100)
065-507144	HID DuoProx (PVC-31 mils) High C / Proximity #1336 - Printable, no slot (minimum order of 100)
120-508051	HID Prox Key II #1346 (FOB) (minimum order of 100)
065-511072	MicroProx Tag Proximity #1391 (Adhesive Backed Disc) (minimum order of 100)
P203-KABA	Retractable Card Holder - (comes in 10-pack)

Weather Cover Description

54644-000-41	Weather Cover E-Plex 5x00
--------------	---------------------------

E-Plex® 5x00 Series Accessories (Continued)

Wrap Plates/ Latch Extensions	Description
204232-26D-41	15" Wrap Plate - Satin Chrome
204232-03-41	15" Wrap Plate - Bright Brass
204231-26D-41	10.5" Wrap Plate - Satin Chrome
204231-03-41	10.5" Wrap Plate - Bright Brass
204022-000-01	Latch Extension Assembly converts to 3 3/4" (95 mm) Backset
204023-000-01	Latch Extension Assembly converts to 5" (130 mm) Backset
54720-000-01	Mortise Mounting Bracket Kit for Hollow Metal Doors
50567701-000-01	Mortise Stabilizer for Hollow Metal Doors

Installation Jig	Description
64684-26D-01	Installation Jig for E-Plex 5000 Series

Display Mounts*	Description
203044-000-41	E-Plex 5x00 Cylindrical-Wood Mount
203056-000-41	E-Plex 5x00 Exit Trim-Wood Mount
203058-000-41	E-Plex 5x00 Mortise-Wood Mount
EP5000 ACLMT	E-Plex 5x00 Cylindrical-Acrylic Mount
EP5000 ACBASE	E-Plex 5x00 Acrylic Mount Display (Lock Mount Not Included)

*Mounts do not include lock