



- PIN Access
- Electronic Pushbutton Lock
- 300 Access Codes
- 9,000 Audit Events
- Narrow Stile Applications
- Retrofits Various Adams Rite® Mortise Locking Devices

Features

Access Control:	Electronic pushbutton lock for narrow stile aluminum glass doors—eliminates problems and costs associated with issuing, controlling and collecting keys and cards
Locking Devices:	Retrofits inside trim for Adams Rite® locks 1850, 1950, 4070, 4510, 4520, 4530, 4710, 4720, 4730, 4900, 4920AN, MS 1850S, MS 1950S, and 8400 Series (Not Included)
Number of Codes:	300 access codes per door; over 100 million possible code combinations
Audit Trail:	The most recent 9,000 lock events are recorded in memory including use of the mechanical key override
Programming:	Locks are programmed via keypad or with <i>optional</i> Microsoft Excel based software—simplifies management of doors and users as facility's number of users and access points grow
Operation Modes:	<ul style="list-style-type: none"> • PIN access • Lockout • Passage—PIN or key enabled, can be pre-programmed to re-lock after a certain number of hours (from 1 to 24) • Latch Holdback—PIN or key enabled, lever activated
Authority Levels:	Five different levels allow you to control who has access to specific lock functions, including: Service Codes—programmed for one-time access or “come-and-go” access for 1-to-24 hours
User Parameters:	Code length: Adjustable to accept 4 to 8 digits Anti-tamper lockout: Adjustable from 3 to 9 invalid attempts with an adjustable period of 0 to 90 seconds Re-lock time: Adjustable from 2 to 20 seconds
Battery Operation:	Batteries located in tamper proof base of outside housing. Four AA Alkaline batteries provide up to 180,000 cycles. Lock data is maintained if batteries fail. Warning light notifies low battery.
Ease of Installation:	No wire installation—eliminates wiring to or through the door—no risk of pinched wires

Mechanical Features

Construction:	Extra heavy-duty lockset, solid cast housing, solid cast lever or thumbturn wear tested for extensive use in indoor and outdoor applications
----------------------	--

Numeric Keypad:	Vandal resistant, solid metal pushbuttons
Handing:	Non-handed, easily changed in the field
Standard Finish:	Satin Chrome 626 (26D) housing and lever
Optional Finish:	Dark Bronze 744 (Simulates 10B/613) housing with Brass push buttons
Backset:	$\frac{3}{32}$ " (25 mm) minimum
Minimum Stile Recommended:	2" (51 mm)
Weight:	5.1 lbs. (2.3 kg)

Key Override

Mortise Cylinder:	Mortise Cylinder in Schlage "C" Keyway
Interchangeable Cores:	Optional Mortise Shell accommodates Small format-Best and equivalent (6 or 7-pin length)

Installation

Ease of Installation:	No wire installation—eliminates wiring to or through the door—no risk of pinched wires
Door Preparation:	Easily installs on narrow stile doors with 4 mounting screws
Door Thickness:	1 $\frac{3}{4}$ " (44 mm)
Items Supplied Include:	Lock assembly, installation manual, quick reference guide, operations manual, installation template, cylinder, mounting hardware, and batteries

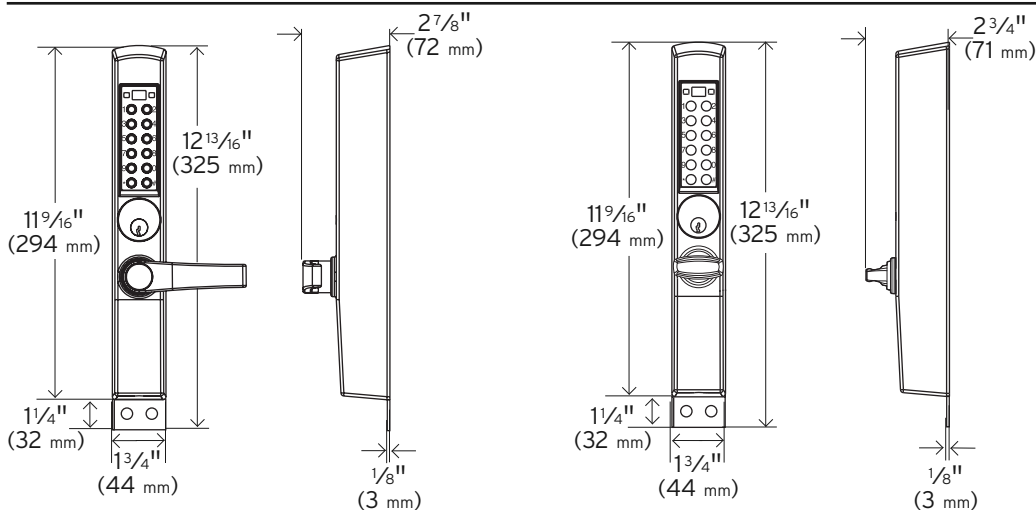
Certification and Testing

Accessibility Standard:	American with Disabilities Act (ADA)
Durability:	Designed and fully tested to meet rigid life cycle test and operating reliability per BHMA Grand 1 requirements.
Environmental:	Indoor/Outdoor Approved Front Housing : 31° F (-35° C) to +151° F (66° C)

Warranty

Warranty:	3-year warranty from date of installation; built-in warranty counter in lock memory
------------------	---

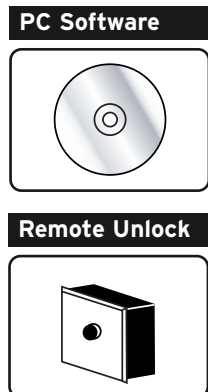
Narrow Stile Lock

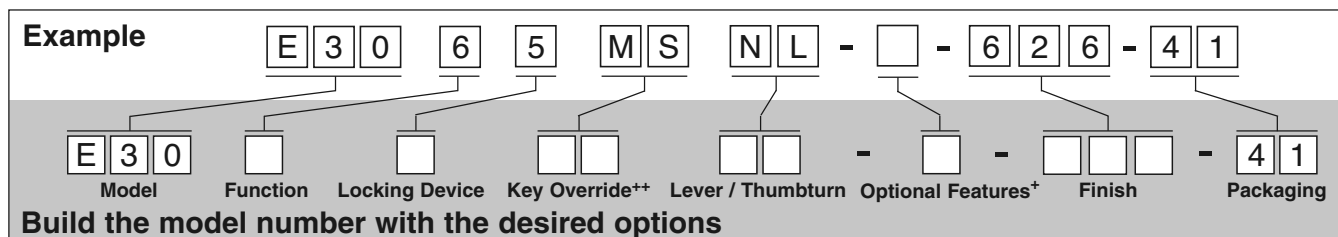


Exterior With Lever

Exterior With Thumbturn

Optional Features





Base Model	Description
E3065MSNL62641	E3000, Mortise, Deadlatch, Lever, Schlage "C" Keyway

Lever/Knob Options	Description
NL	Narrow Stile Lever
NT	Narrow Stile Thumbturn

Choose one option from each category

Function Options	Description
6	Mortise

Option Features+	Description
0	Remote Unlock

Locking Device Options	Description
5	Mortise Dead Latch for Adams Rite 4070, 4510, 4520, 4530, 4710, 4720, 4730, 4900, and 4920AN. Also fits 8400 Mortise Exit
6	Mortise Dead Bolt for Adams Rite 1850, 1950, MS1850S, and MS1950S

Finish Options	Description
626	Satin Chrome (26D)
744	Dark Bronze with Brass Accents (simulated 10B/613)

Key Override Options**	Description
MK	Mortise, Kaba Cylinder (Kaba 90 Keyway) Included
MS	Mortise, Kaba Cylinder (Schlage "C" Keyway) Included
B	Mortise, I/C Housing, Best and Equivalents (6 or 7-pin Length); Cylinder not Included

Notes

Software Optional (see page 110)

+ This field may be left blank if optional features are not required

** Interchangeable/Removable core cylinders are not included with the lock

E-Plex® 2000 Series Accessories

Model Number	Description
061-510201-630	Door Filler Plate, 14" (356 mm) x 4 5/8" (117 mm) - Stainless Steel
061-510201-906	Door Filler Plate, 14" (356 mm) x 4 5/8" (117 mm) - Satin Brass
061-510362-630	Door Filler Plate, 10 1/16" (256 mm) x 3 3/4" (95 mm) - Stainless Steel
061-510362-906	Door Filler Plate, 10 1/16" (256 mm) x 3 3/4" (95 mm) - Satin Brass
EP2000 ACLMT	E-Plex 2000 Acrylic Mount
203059-000-41	E-Plex 2000 Wood Mount
062-511915	Security Screw Kit (Includes Bit)
204022-000-01	Latch Extension Assembly converts to 3 3/4" (95 mm) Backset
204023-000-01	Latch Extension Assembly converts to 5" (130 mm) Backset
062-510189-626	Thick Door Kit, 2 1/2" - 3 3/4" (64 mm - 95 mm) - Satin Chrome
062-510189-606	Thick Door Kit, 2 1/2" - 3 3/4" (64 mm - 95 mm) - Satin Brass

E-Plex® 3x00 Series Accessories

Model Number Kits	Description
75262-000-01	Deadlatch (E3065) to Deadbolt (E3066) Conversion Kit - Includes cam, template, and instructions
75271-000-01	Deadbolt (E3066) to Deadlatch (E3065) Conversion Kit - includes cam, template, and instructions
64793-626-01	Deadlatch Dress Plate Kit, Covers Old Prep from Simplex 3000, Simplex 3100, Schlage King Cobra, and Trilogy DL1200/1300 - Satin Chrome; Use with E3065 Lock
64793-744-01	Deadlatch Dress Plate Kit, Covers Old Prep from Simplex 3000, Simplex 3100, Schlage King Cobra, and Trilogy DL1200/1300 - Dark Bronze; Use with E3065 Lock
64794-626-01	Dead Lock Dress Plate Kit, Covers Old Prep from Simplex 3000 Simplex 3100, Schlage King Cobra, and Trilogy DL1200/1300 - Satin Chrome; Use with E3066 Lock
64794-744-01	Dead Lock Dress Plate Kit, Covers Old Prep from Simplex 3000, Simplex 3100, Schlage King Cobra, and Trilogy DL1200/1300 - Dark Bronze; Use with E3066 Lock
64802-000-01	E3000 Series Exit Trim Adapter Kit (Fits Arrow 10/51800, Corbin ED5200A, Detex Advantex 10/40, DCI 1200A/1300A, Dorma 9300/F9300, Hager 4700R/4700RF, Precision 2100/FL2100, and Von Duprin 33/35A)

E-Plex® 3x00 Series Accessories (Continued)

Mount	Description
75268-626	E3000 Aluminum Mount Deadlatch - Satin Chrome (E3065 Lock and Adams Rite Hardware Not Included)

E-Plex® 5x00 Series Accessories

Software Model Number	Description
EP 0300-SW	E-Plex 3000/5000 Standard Software (Excel-Based Templates) - 300 Users
EP 3000-SW	E-Plex 5200/5700 Advanced Access Control Software - 3,000 Users
EP Demo 3000-SW	E-Plex 5200/5700 Advanced Access Control Demo Software
EP-FIPS-SW	E-Plex 5800 FIPS Software

Prox Reader Enroller Description

54561-000-41	USB Prox Reader / Enroller
--------------	----------------------------

Proximity Credentials/Tokens Description

065-101066	HID Proxcard II Proximity Access Card #1326M - Not Printable, with slot (minimum order of 100)
065-507143	HID ISO Prox II Card (PVC-31 mils) #1386 - Printable, no slot (minimum order of 100)
065-507144	HID DuoProx (PVC-31 mils) High C / Proximity #1336 - Printable, no slot (minimum order of 100)
120-508051	HID Prox Key II #1346 (FOB) (minimum order of 100)
065-511072	MicroProx Tag Proximity #1391 (Adhesive Backed Disc) (minimum order of 100)
P203-KABA	Retractable Card Holder - (comes in 10-pack)

Weather Cover Description

54644-000-41	Weather Cover E-Plex 5x00
--------------	---------------------------

E-Plex® 5x00 Series Accessories (Continued)

Wrap Plates/ Latch Extensions	Description
204232-26D-41	15" Wrap Plate - Satin Chrome
204232-03-41	15" Wrap Plate - Bright Brass
204231-26D-41	10.5" Wrap Plate - Satin Chrome
204231-03-41	10.5" Wrap Plate - Bright Brass
204022-000-01	Latch Extension Assembly converts to 3 3/4" (95 mm) Backset
204023-000-01	Latch Extension Assembly converts to 5" (130 mm) Backset
54720-000-01	Mortise Mounting Bracket Kit for Hollow Metal Doors
50567701-000-01	Mortise Stabilizer for Hollow Metal Doors

Installation Jig	Description
64684-26D-01	Installation Jig for E-Plex 5000 Series

Display Mounts*	Description
203044-000-41	E-Plex 5x00 Cylindrical-Wood Mount
203056-000-41	E-Plex 5x00 Exit Trim-Wood Mount
203058-000-41	E-Plex 5x00 Mortise-Wood Mount
EP5000 ACLMT	E-Plex 5x00 Cylindrical-Acrylic Mount
EP5000 ACBASE	E-Plex 5x00 Acrylic Mount Display (Lock Mount Not Included)

*Mounts do not include lock