



- PIN Access
- Electronic Pushbutton Lock
- 100 Access Codes
- 3,000 Audit Events
- Cylindrical, Mortise, and Exit Trim
- ANSI/BHMA Grade-1 Certified

Features

Access Control:	Electronic pushbutton lock—eliminates problems and costs associated with issuing, controlling and collecting keys and cards. Provides exterior access by combination, while allowing free egress.
No Wires:	E-Plex's Patented LectroBolt™ eliminates running wires to or through the door—no risk of damage from pinched wires that can result in costly callbacks
Locking Device Options:	<ul style="list-style-type: none"> • Cylindrical: Cylindrical latch with 3-hour UL/ULC fire rating • Rim Exit Device: Compatible with most leading brands of Exit Devices (Exit Device and Mounting Hardware not included) • American Standard Mortise: With 1" (25 mm) and 1 ¼" (32 mm) faceplate; with and without deadbolt
Number of Codes:	Multiple Users—100 Codes; upgrades to 300 codes with optional software
Programming:	Locks are programmed via keypad or with optional Microsoft Excel based software—Simplifies management of doors and users as facility's number of users and access points grow
Handing:	Non-handed; pre-assembled for left hand door installations—easily changed in the field
Key Override:	Key-in-Lever/Knob cylinders, small format interchangeable cores, large format removable cores
Operation Modes:	<ul style="list-style-type: none"> • PIN access • Passage—can be toggled on/off or can be pre-programmed to re-lock after a certain number of hours • Lockout
Authority Levels:	Five different levels allow you to control who has access to specific lock functions, including: Service Codes—programmed for one-time access or "come-and-go" access for 1-to-24 hours
User Parameters:	<p>Code length—Adjustable to accept 4 to 8 digits</p> <p>Anti-tamper lockout—Adjustable from 3 to 9 invalid attempts with an adjustable period of 0 to 90 seconds</p> <p>Re-lock time—Adjustable from 2 to 20 seconds</p>
Battery Operation:	Batteries located in interior housing cover; offers quick and easy battery replacement for institutions (Four AA Alkaline batteries provide up to 180,000 cycles). Lock data is maintained if batteries fail.
Ease of Installation:	LectroBolt™ (patent pending) eliminates wiring to or through the door—no risk of pinched wires

Exit Device Compatibility:	Arrow S1250	Monarch 18R/F-18R	Sargent 8888
	Arrow S3800	Precision 21/FL 21	Von Duprin 22/22F
	Corbin Russwin 5200/5200A	Sargent 2828	Von Duprin 98/98F
	Detex 10/F10	Sargent 3828	Von Duprin 99/99F
	Dorma 9300/9300F	Sargent 8800	Yale 7100

• **Can not be used with Mortise design or most vertical rod Exit Devices**

ATTENTION: Compatibility is subject to change if modifications are made by Exit Device manufacturers without Kaba Access Control's knowledge.

Mechanical Features

Construction:	Extra heavy-duty Grade 1 lock; cylindrical lockset, solid cast housings; solid cast zinc levers, cylindrical drive wear tested for extensive use in indoor and outdoor applications
Numeric Keypad:	Vandal resistant, solid metal pushbuttons
Handing:	Non-handed; pre-assembled for left-hand door installation—easily changed in the field
Standard Finishes:	Satin Chrome 626 (26D) housings and levers, Black 676 housings with Satin Chrome 626 (26D) levers and accents
Optional Finishes:	Satin Brass 606 (04), Dark Bronze 744 with Brass Accents, Bright Brass 605 (03), and Bright Chrome 625 (026)
Backset:	Cylindrical: 2 ¾" (70 mm) backset, 2 ⅜" (60 mm) backset Mortise: 2 ¾" (70 mm) backset Exit Trim Model: Varies by exit device
Latches:	Cylindrical Models: ½" (13 mm) throw latch, ¾" (19 mm) throw latch (optional) Mortise Models: ¾" (19 mm) latch, 1" (25 mm) deadbolt (optional)
Minimum Stile Required:	5" (127 mm)
Weight:	Cylindrical and Mortise Models: 8 lbs (3.63 kg)
Exit Trim Models:	10 lbs (4.54 kg)

Key Override

Key Override:	Universal Key-in-Lever Cylinders: Includes Kaba 1599 6-pin cylinder (prepped to Kaba 90 or Schlage "C" Keyway, keyed different) and tailpieces for compatibility with:																											
	<table border="0"> <tr> <td>Abloy 5277</td> <td>Kaba Peaks 1099</td> <td>Australian:</td> </tr> <tr> <td>Abloy 5477</td> <td>Marks</td> <td>Kaba experT 107K5</td> </tr> <tr> <td>Arrow C100</td> <td>Medeco 20W200H1</td> <td>and Boyd KC286</td> </tr> <tr> <td>ASSA 65611</td> <td>Sargent 10 Line</td> <td></td> </tr> <tr> <td>ASSA 65691</td> <td>Schlage 23-001</td> <td>European: Quattro</td> </tr> <tr> <td>Corbin Russwin 2000-03</td> <td>Schlage Primus 20-760</td> <td>S/Expert an AP2</td> </tr> <tr> <td>Kaba 1539</td> <td></td> <td>(5 and 6-pin)</td> </tr> <tr> <td>Kaba 1599</td> <td></td> <td></td> </tr> <tr> <td>Kaba Gemini 4730</td> <td></td> <td></td> </tr> </table>	Abloy 5277	Kaba Peaks 1099	Australian:	Abloy 5477	Marks	Kaba experT 107K5	Arrow C100	Medeco 20W200H1	and Boyd KC286	ASSA 65611	Sargent 10 Line		ASSA 65691	Schlage 23-001	European: Quattro	Corbin Russwin 2000-03	Schlage Primus 20-760	S/Expert an AP2	Kaba 1539		(5 and 6-pin)	Kaba 1599			Kaba Gemini 4730		
Abloy 5277	Kaba Peaks 1099	Australian:																										
Abloy 5477	Marks	Kaba experT 107K5																										
Arrow C100	Medeco 20W200H1	and Boyd KC286																										
ASSA 65611	Sargent 10 Line																											
ASSA 65691	Schlage 23-001	European: Quattro																										
Corbin Russwin 2000-03	Schlage Primus 20-760	S/Expert an AP2																										
Kaba 1539		(5 and 6-pin)																										
Kaba 1599																												
Kaba Gemini 4730																												
	Interchangeable Cores: Small format—Best and equivalent (6 or 7-pin length) Removable Cores: Large format—Medeco/ASSA/Yale (5 or 6-pin), Corbin Russwin, Schlage, and Sargent																											

Installation

Ease of Installation:	LectroBolt™ (patent pending) eliminates wiring to or through the door—no risk of pinched wires
Door Preparation:	Easily installs on wood or metal doors; Four bolt installation; No wiring

Door Thickness:	Cylindrical Model: 1 3/8" (35 mm) to 2 1/4" (57 mm); pre-assembled to accommodate doors 1 5/8" (41 mm) to 2" (51 mm); hardware kits included for thin and thick doors
Exit Trim and Mortise Models:	1 3/4" (44 mm) to 2 1/4" (57 mm). Pre-assembled to accommodate doors 1 3/4" (44 mm) to 2 1/8" (54 mm)
Items Supplied Include:	Installation manual, quick reference guide, operations manual, full-scale template, required installation hardware, and tailpiece for specified key override
Additional Items Supplied with Key-in-Lever cylinder model only:	Includes Universal Kaba 1599 6-pin cylinder with tailpiece, four additional tailpieces, two nickel silver keys, and spare cylinder retainer

Electronic Features

Battery:	Batteries located in interior housing; provides quick and easy battery replacement for institutions; Four AA batteries provide up to 180,000 cycles
Indicators:	Audible and visual indicators; low battery visual indicator
Audit Capability:	3,000 Events; upgrades to 9,000 events with optional software

Certification and Testing

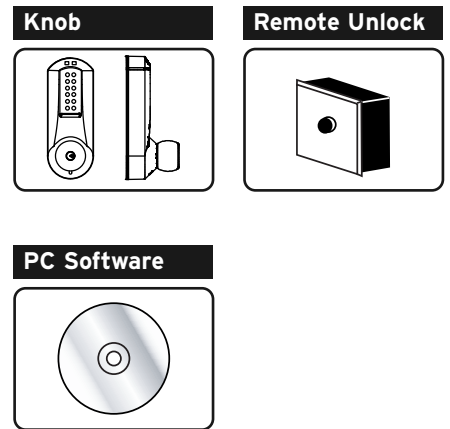
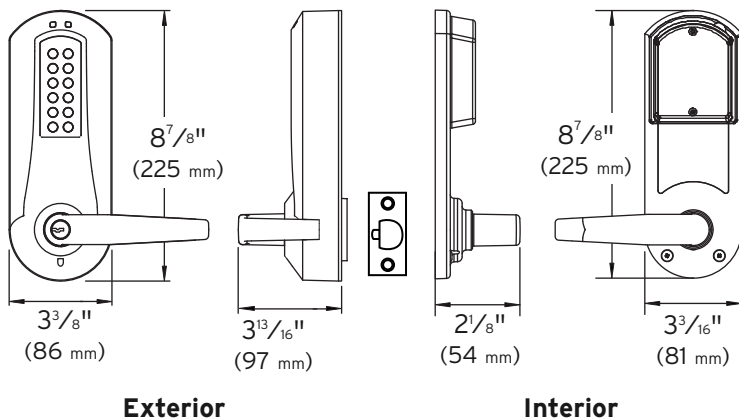
Accessibility Standard:	Americans with Disabilities Act (ADA)
Fire Rating:	3-hour, UL/ULC fire door rating for "A" labeled doors
Durability:	ANSI/BHMA Grade 1 certified (A156.25, A156.2, A156.13, A156.3)
Environmental:	Indoor/Outdoor Approved Front Housing: -31° F (-35° C) to + 151° F (66° C) Rear Housing: -31° F (-35° C) to + 130° F (55° C)

Warranty

Warranty:	3-year warranty from date of installation; built-in warranty counter in lock memory
------------------	---

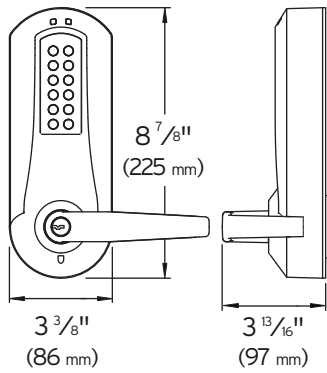
Cylindrical

Optional Features

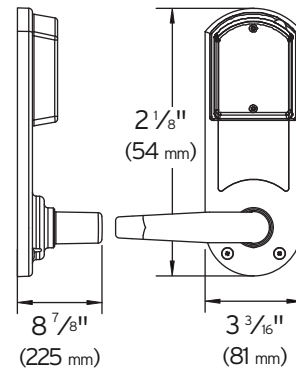
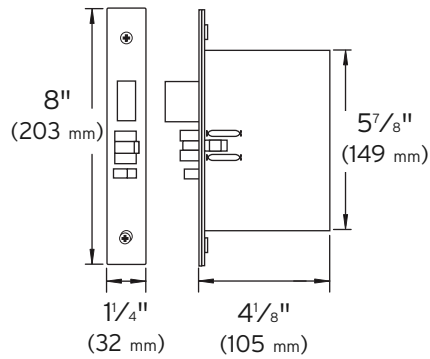


Mortise

Optional Features

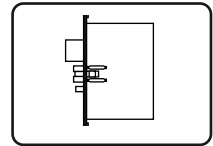


Exterior

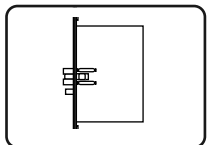


Interior

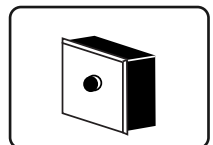
Deadbolt



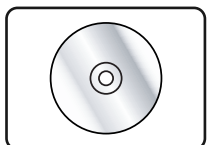
No Deadbolt



Remote Unlock

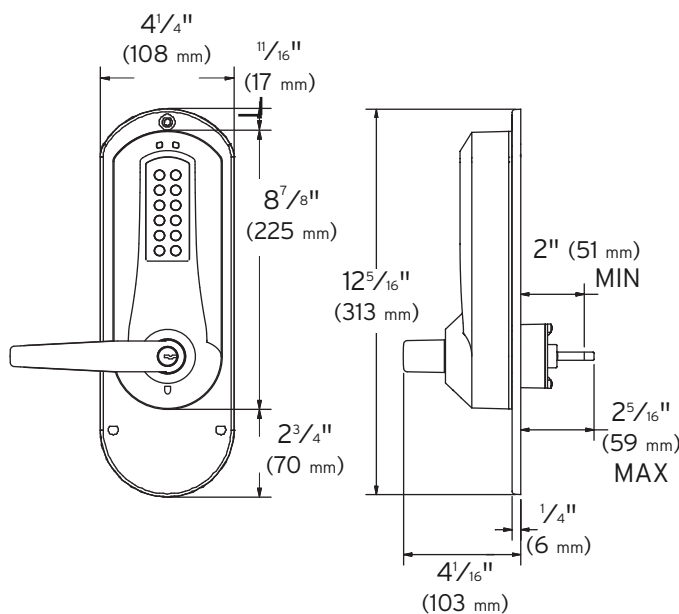


PC Software

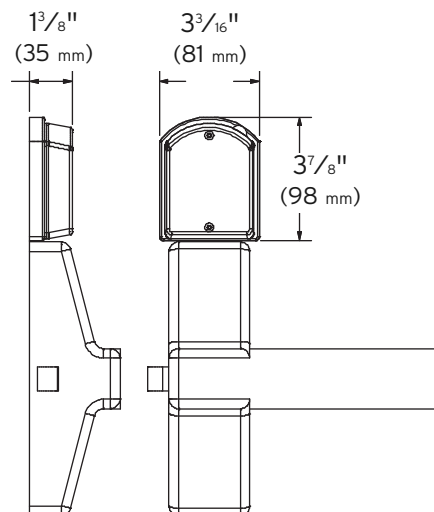


Exit Trim

Optional Features

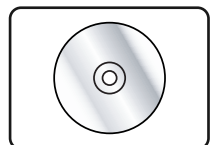


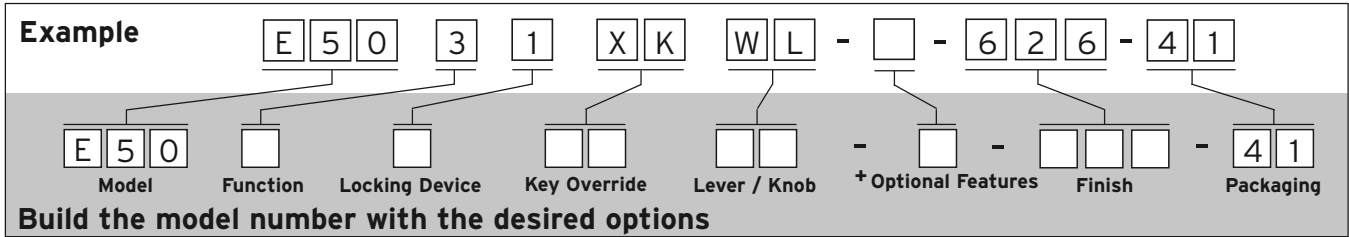
Exterior



Interior

PC Software





Base Model	Description
E5031XKWL62641	E5000, Cylindrical, Key-in-Lever

Choose one option from each category

Function Options	Description
1 ⁺⁺	Exit Trim (E.T.)
3	Cylindrical Lock (cyl)
5	Cylindrical with Privacy (cyl)
6	American Steel Mortise (ASM)

Locking Device Options	Description
0 ⁺⁺	Exit Trim (available with E.T. only)
1	Cylindrical ½" (13 mm) throw latch, floating face plate, 2 ¾" (70 mm) backset
2	Cylindrical ½" (13 mm) throw latch, floating face plate, 2 ⅜" (60 mm) backset
5	Cylindrical ¾" (19 mm) throw latch, beveled face plate, 2 ¾" (70 mm) backset
3	Mortise LH-1" (25 mm) Face Plate, No Deadbolt
4	Mortise RH-1" (25 mm) Face Plate, No Deadbolt
8	Mortise LH-1" (25 mm) Face Plate, With Deadbolt
9	Mortise RH-1" (25 mm) Face Plate, With Deadbolt
6	Mortise 1 ¼" (32 mm) Face Plate, No Deadbolt (Non-Handed)
7	Mortise 1 ¼" (32 mm) Face Plate With Deadbolt (Non-Handed)

Key Override Options ⁺⁺⁺	Description
XK	K-I-L Kaba Cylinder (Kaba 90 Keyway) Included
XS	K-I-L Kaba Cylinder (Schlage "C" Keyway) Included
B	I/C Best and Equivalents (6 or 7-pin Length)
C	R/C Corbin Russwin
M	R/C Medeco/ASSA/Yale (5 or 6-pin Length)
R	R/C Sargent
S	R/C Schlage

Lever/Knob Options	Description
WL	Winston Lever
WK	Winston Knob (available with Cylindrical only)

Optional Features ⁺	Description
0	Remote Unlock (Not available with Exit Trim Models)

Finish Options	Description
605	Bright Brass (03)
606	Satin Brass (04)
625	Bright Chrome (026)
626	Satin Chrome (26D)
676	Black with Satin Chrome Accents
744	Dark Bronze with Brass Accents (simulated 10B/613)

Notes

Software Optional (see page 110)

+ Optional Features

This field may be left blank if no optional features are required

**** Exit Device Compatibility**

Arrow S1250	Monarch 18R/F-18R	Sargent 8888
Arrow S3800	Precision 21/FL 21	Von Duprin 22/22F
Corbin Russwin 5200/5200A	Sargent 2828	Von Duprin 98/98F
Detex 10/F10	Sargent 3828	Von Duprin 99/99F
Dorma 9300/9300F	Sargent 8800	Yale 7100

- Cannot be used with Mortise design or most vertical rod Exit Devices

ATTENTION: Compatibility is subject to change if modifications are made by Exit Device manufacturers without Kaba Access Control's knowledge.

Exit Device (not included)

***** Interchangeable/Removable core cylinders are not included with the lock**

E-Plex® 2000 Series Accessories

Model Number	Description
061-510201-630	Door Filler Plate, 14" (356 mm) x 4 5/8" (117 mm) - Stainless Steel
061-510201-906	Door Filler Plate, 14" (356 mm) x 4 5/8" (117 mm) - Satin Brass
061-510362-630	Door Filler Plate, 10 1/16" (256 mm) x 3 3/4" (95 mm) - Stainless Steel
061-510362-906	Door Filler Plate, 10 1/16" (256 mm) x 3 3/4" (95 mm) - Satin Brass
EP2000 ACLMT	E-Plex 2000 Acrylic Mount
203059-000-41	E-Plex 2000 Wood Mount
062-511915	Security Screw Kit (Includes Bit)
204022-000-01	Latch Extension Assembly converts to 3 3/4" (95 mm) Backset
204023-000-01	Latch Extension Assembly converts to 5" (130 mm) Backset
062-510189-626	Thick Door Kit, 2 1/2" - 3 3/4" (64 mm - 95 mm) - Satin Chrome
062-510189-606	Thick Door Kit, 2 1/2" - 3 3/4" (64 mm - 95 mm) - Satin Brass

E-Plex® 3x00 Series Accessories

Model Number Kits	Description
75262-000-01	Deadlatch (E3065) to Deadbolt (E3066) Conversion Kit - Includes cam, template, and instructions
75271-000-01	Deadbolt (E3066) to Deadlatch (E3065) Conversion Kit - includes cam, template, and instructions
64793-626-01	Deadlatch Dress Plate Kit, Covers Old Prep from Simplex 3000, Simplex 3100, Schlage King Cobra, and Trilogy DL1200/1300 - Satin Chrome; Use with E3065 Lock
64793-744-01	Deadlatch Dress Plate Kit, Covers Old Prep from Simplex 3000, Simplex 3100, Schlage King Cobra, and Trilogy DL1200/1300 - Dark Bronze; Use with E3065 Lock
64794-626-01	Dead Lock Dress Plate Kit, Covers Old Prep from Simplex 3000 Simplex 3100, Schlage King Cobra, and Trilogy DL1200/1300 - Satin Chrome; Use with E3066 Lock
64794-744-01	Dead Lock Dress Plate Kit, Covers Old Prep from Simplex 3000, Simplex 3100, Schlage King Cobra, and Trilogy DL1200/1300 - Dark Bronze; Use with E3066 Lock
64802-000-01	E3000 Series Exit Trim Adapter Kit (Fits Arrow 10/51800, Corbin ED5200A, Detex Advantex 10/40, DCI 1200A/1300A, Dorma 9300/F9300, Hager 4700R/4700RF, Precision 2100/FL2100, and Von Duprin 33/35A)

E-Plex® 3x00 Series Accessories (Continued)

Mount	Description
75268-626	E3000 Aluminum Mount Deadlatch - Satin Chrome (E3065 Lock and Adams Rite Hardware Not Included)

E-Plex® 5x00 Series Accessories

Software Model Number	Description
EP 0300-SW	E-Plex 3000/5000 Standard Software (Excel-Based Templates) - 300 Users
EP 3000-SW	E-Plex 5200/5700 Advanced Access Control Software - 3,000 Users
EP Demo 3000-SW	E-Plex 5200/5700 Advanced Access Control Demo Software
EP-FIPS-SW	E-Plex 5800 FIPS Software

Prox Reader Enroller Description

54561-000-41	USB Prox Reader / Enroller
--------------	----------------------------

Proximity Credentials/Tokens Description

065-101066	HID Proxcard II Proximity Access Card #1326M - Not Printable, with slot (minimum order of 100)
065-507143	HID ISO Prox II Card (PVC-31 mils) #1386 - Printable, no slot (minimum order of 100)
065-507144	HID DuoProx (PVC-31 mils) High C / Proximity #1336 - Printable, no slot (minimum order of 100)
120-508051	HID Prox Key II #1346 (FOB) (minimum order of 100)
065-511072	MicroProx Tag Proximity #1391 (Adhesive Backed Disc) (minimum order of 100)
P203-KABA	Retractable Card Holder - (comes in 10-pack)

Weather Cover Description

54644-000-41	Weather Cover E-Plex 5x00
--------------	---------------------------

E-Plex® 5x00 Series Accessories (Continued)

Wrap Plates/ Latch Extensions	Description
204232-26D-41	15" Wrap Plate - Satin Chrome
204232-03-41	15" Wrap Plate - Bright Brass
204231-26D-41	10.5" Wrap Plate - Satin Chrome
204231-03-41	10.5" Wrap Plate - Bright Brass
204022-000-01	Latch Extension Assembly converts to 3 3/4" (95 mm) Backset
204023-000-01	Latch Extension Assembly converts to 5" (130 mm) Backset
54720-000-01	Mortise Mounting Bracket Kit for Hollow Metal Doors
50567701-000-01	Mortise Stabilizer for Hollow Metal Doors

Installation Jig	Description
64684-26D-01	Installation Jig for E-Plex 5000 Series

Display Mounts*	Description
203044-000-41	E-Plex 5x00 Cylindrical-Wood Mount
203056-000-41	E-Plex 5x00 Exit Trim-Wood Mount
203058-000-41	E-Plex 5x00 Mortise-Wood Mount
EP5000 ACLMT	E-Plex 5x00 Cylindrical-Acrylic Mount
EP5000 ACBASE	E-Plex 5x00 Acrylic Mount Display (Lock Mount Not Included)

*Mounts do not include lock