



- PIN/FIPS 201 Card or Dual Credential
- Electronic Pushbutton Lock/Card Access
- 3,000 Access Codes
- 30,000 Audit Events
- Access Schedules
- ANSI/BHMA Grade-1 Certified

### Features

<b>Access Granting Credentials (2):</b>	Card only (FIPS-201 compliant or DESFire card) Dual Credential–PIN followed by Card
<b>Personal ID Verification Interface:</b>	Contactless Interface ISO 14443A (and B when available)
<b>ID Card Enrolling Station:</b>	Contact Interface Card Reader/Enroller (ISO 7816-4) Optional Contactless Interface Card Reader/Enroller
<b>Lock Programming an Auditing Unit:</b>	Handheld PDA with IrDA communications
<b>Number of Users an Audit Events in Lock:</b>	Users: 3,000 users Audits: 30,000 audit events
<b>Authority Levels (6):</b>	Authority levels allow you to control who has access to specific lock operations: <ul style="list-style-type: none"> <li>• Master</li> <li>• Manager</li> <li>• Access User</li> <li>• Guest/Visitor User</li> <li>• Service User</li> <li>• Maintenance Unit (PDA) User</li> </ul>
<b>Programmed Scheduling:</b>	Up to 16 different access schedules per lock Up to 32 different holiday/vacation blocks per lock
<b>Passage Mode Options (3):</b>	First manager or privileged-user in Automatic according to access schedules Manually toggled on/off at the lock keypad
<b>System Software:</b>	Host application PC server with multiple workstations support using Thin Client interface over network (or same machine)  SQL database with critical data components encrypted for highest security Validation of credential's digital certificate performed during card enrollment Verification of cardholder status across all issued credentials performed via Online Certificate Status Protocol (OCSP)  CoreStreet high assurance technology ensures fast FIPS-201 credential checking
<b>Battery Operation:</b>	Batteries located in interior housing cover; offers quick and easy battery replacement for institutions (Four AA Alkaline batteries provide up to 180,000 cycles). Lock data is maintained if batteries fail.
<b>Ease of Installation:</b>	LectroBolt™ (patent pending) eliminates wiring to or through the door - no risk of pinched wires

<b>Exit Device Compatibility:</b>	Arrow S1250	Monarch 18R/F-18R	Sargent 8888
	Arrow S3800	Precision 21/ FL 21	Von Duprin 22/22F
	Corbin Russwin 5200/5200A	Sargent 2828	Von Duprin 98/98F
	Detex 10/F10	Sargent 3828	Von Duprin 99/99F
	Dorma 9300/9300F	Sargent 8800	Yale 7100

• **Cannot be used with Mortise design or most vertical rod Exit Devices**

**ATTENTION: Compatibility is subject to change if modifications are made by Exit Device manufacturers without Kaba Access Control's knowledge.**

### Mechanical Features

<b>Construction:</b>	Extra heavy-duty Grade 1 lock; cylindrical lockset, solid cast housings; solid cast zinc levers, cylindrical drive wear tested for extensive use in indoor and outdoor applications
<b>Numeric Keypad:</b>	Vandal resistant, solid metal pushbuttons
<b>Handing:</b>	Non-handed: pre-assembled for left-hand door installation—easily changed in the field
<b>Standard Finishes:</b>	Satin Chrome 626 (26D) housings and levers, Black 676 housings with Satin Chrome 626 (26D) levers and accents
<b>Optional Finishes:</b>	Satin Brass 606 (04), Dark Bronze 744 with Brass Accents, Bright Brass 605 (03), and Bright Chrome 625 (026)
<b>Backset:</b>	<b>Cylindrical:</b> 2 ¾" (70 mm) backset, 2 ⅜" (60 mm) backset <b>Mortise:</b> 2 ¾" (70 mm) backset <b>Exit Trim Model:</b> Varies by exit device
<b>Latches:</b>	Cylindrical Models: ½" (13 mm) throw latch, ¾" (19 mm) throw latch (optional) Mortise Models: ¾" (19 mm) latch, 1" (25 mm) deadbolt (optional)
<b>Minimum Stile Required:</b>	5" (127 mm)
<b>Weight:</b>	Cylindrical and Mortise Models: 8 lbs (3.63 kg)
<b>Exit Trim Models:</b>	10 lbs (4.54 kg)

### Key Override

<b>Key Override:</b>	Universal Key-in-Lever Cylinders: Includes Kaba 1599 6-pin cylinder (prepped to Kaba 90 or Schlage "C" Keyway, keyed different) and tailpieces for compatibility with:		
	Abloy 5277	Kaba Gemini 4730	Australian:
	Abloy 5477	Kaba Peaks 1099	Kaba experT 107K5
	Arrow C100	Marks	and Boyd KC286
	ASSA 65611	Medeco 20W200H1	
	ASSA 65691	Sargent 10 Line	European: Quattro
	Corbin Russwin 2000-03	Schlage 23-001	S/Expert an AP2
	Kaba 1539	Schlage Primus 20-760	(5 and 6-pin)
	Kaba 1599		
	Interchangeable Cores: Small format—Best and equivalent (6 or 7-pin length) Removable Cores: Large format—Medeco/ASSA/Yale (5 or 6-pin), Corbin Russwin, Schlage, and Sargent		



### Installation

<b>Ease of Installation:</b>	LectroBolt™ (patent pending) eliminates wiring to or through the door - no risk of pinched wires
<b>Door Preparation:</b>	Easily installs on wood or metal doors; Four bolt installation; No wiring
<b>Door Thickness:</b>	Cylindrical Model: 1 3/8" (35 mm) to 2 1/4" (57 mm); pre-assembled to accommodate doors 1 5/8" (41 mm) to 2" (51 mm); hardware kits included for thin and thick doors
<b>Exit Trim and Mortise Models:</b>	1 3/4" (44 mm) to 2 1/4" (57 mm). Pre-assembled to accommodate doors 1 3/4" (44 mm) to 2 1/8" (54 mm)
<b>Items Supplied Include:</b>	Installation manual, quick reference guide, operations manual, full-scale template, required installation hardware, and tailpiece for specified key override
<b>Additional Items Supplied with Key-in-Lever cylinder model only:</b>	Includes Universal Kaba 1599 6-pin cylinder with tailpiece, four additional tailpieces, two nickel silver keys, and spare cylinder retainer

### Electronic Features

<b>Battery:</b>	Batteries located in interior housing; provides quick and easy battery replacement for institutions; Four AA batteries provide up to 180,000 cycles
<b>Indicators:</b>	Audible and visual indicators; low battery visual indicator
<b>Audit Capability:</b>	30,000 Events
<b>Access Schedules:</b>	Up to 32 holiday and vacation blocks and 16 access schedules

### Certification and Testing

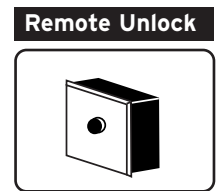
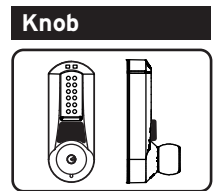
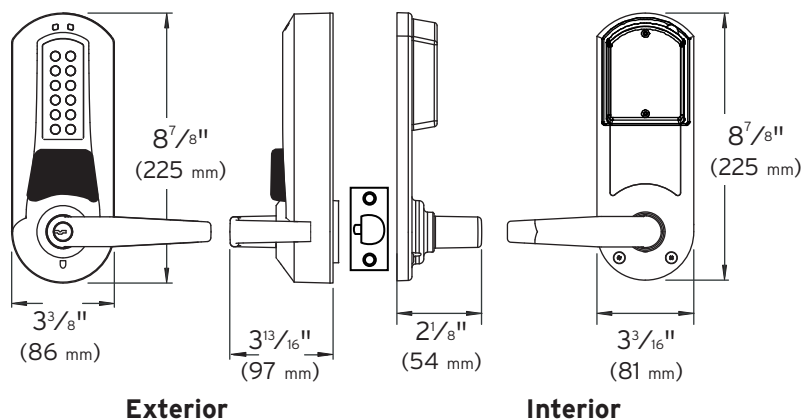
<b>Accessibility Standard:</b>	Americans with Disabilities Act (ADA)
<b>Fire Rating:</b>	3-hour, UL/ULC fire door rating for "A" labeled doors
<b>Durability:</b>	ANSI/BHMA Grade 1 certified (A156.25, A156.2, A156.13, A156.3)
<b>Environmental:</b>	Indoor/Outdoor Approved Front Housing: -31° F (-35° C) to + 151° F (66° C) Rear Housing: -31° F (-35° C) to + 130° F (55° C)

### Warranty

<b>Warranty:</b>	3-year warranty from date of installation; built-in warranty counter in lock memory
------------------	---

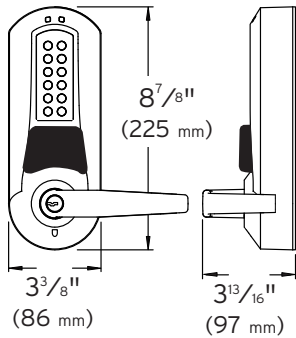
### Cylindrical

### Optional Features

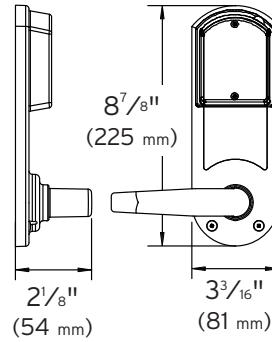
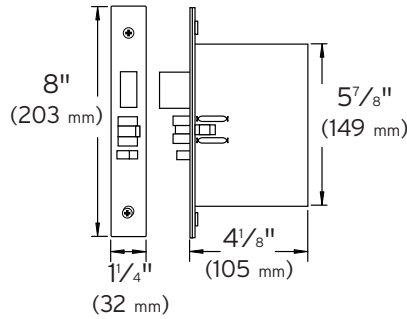


### Mortise

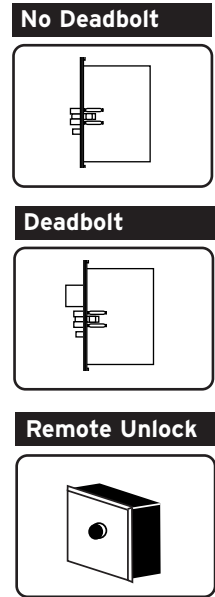
### Optional Features



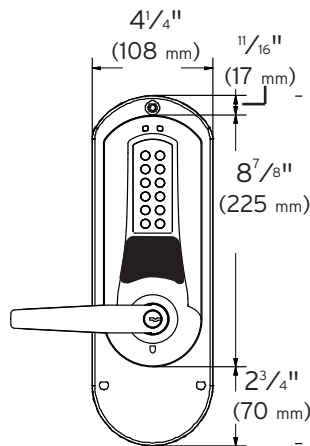
**Exterior**



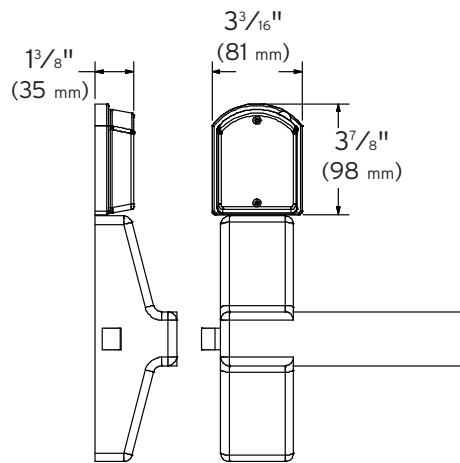
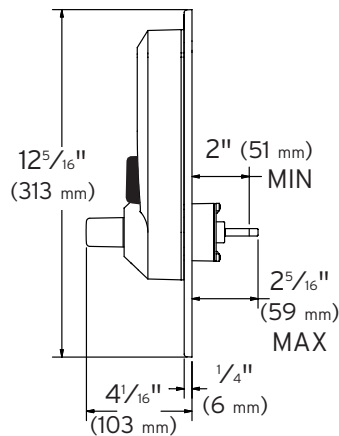
**Interior**



### Exit Trim

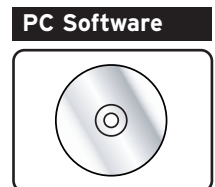


**Exterior**



**Interior**

### Required Features



E-PLEX®