



- PIN Access
- Mechanical Pushbutton Lock
- Single Access Code
- Exit Trim
- Thumbturn

Features

Access Control:	Mechanical pushbutton lock—eliminates problems and costs associated with issuing, controlling, and collecting keys and cards. Provides exterior access by combination, while allowing free egress at all times by interior exit device (not supplied).
No Battery:	Fully mechanical lock eliminates the material and labor expense of battery replacements
Locking Device Options:	<u>Rim Exit Device:</u> Compatible with most leading brands of Exit Devices (Exit Device and Mounting hardware not included)
Exit Device Compatibility:	<ul style="list-style-type: none"> • American Device 6300 Series, 6303 Series • Corbin 21, 22, 25, 26NT, 27K, 29, 29-1/4, 29M2, 29-1/2M2, 29NTM2, 29D20, LA29, 39, 39EL, 39LLD, 390, LA39 • Detex Advantex Series 10, 20, 21, 40, 50, 51 • Magno Krom LHR only: 500-4, 550-4, 650-4, 1500-4, 1550-4, 1650-4; RHR only: 600-3 • Monarch 18RBA, 18RP, 18VP, F18RBA, F18RP, F18VP, FXXRBA, FXXRP, FXXVP, XXRBA, XXRP, XXVP • Precision Hardware FL-D103; RHRB only 810-H; RH or LH: 103, R103, D203, H-203, 1103, D1203, H1203 • Russwin 365, 3651/4, LT365, 370, 372, LA372, 375, LT375, 377, 382, 384, 385, 388, 572, 572EL, 572ELD, U572, LA572 • Sargent 2813, 2804, 6804, 12-6804, 9804RHRB, 12-9804LHRB, 9898E, 9898K • Von Duprin 22 Rim, 22 Rim-F, 88 Rim, 88 Rim-F, 98 Rim, 98 Rim-F, 99 Rim, 99 Rim-F; 2227, 2227-F, 9827, 9827-F, 9847, 9847-F, 9927-F, 9947-F; Yale 1500 Series, 7000 Series <p>• Cannot be used with surface-mounted Exit Devices with counterclockwise rotating hubs, with thumb-operated Mortise design Exit Devices, or most vertical rod Exit Devices</p>
ATTENTION: Compatibility is subject to change if modifications are made by Exit Device manufacturers without Kaba Access Control's knowledge	
Number of Codes:	Single access code—one easy to manage code for all users
Programming:	Lock is easily programmed via keypad without removing lock from the door
Handing:	For non-handed or clockwise-rotating (adjustable up to 90°) Exit Device hubs only
Operation Modes:	Single credential—access
Economical:	A cost effective access control solution
Tailpiece:	2 ¾" (70 mm) adjustable tailpiece for Exit Device operation from outside; optional 5" (127 mm) tailpiece
Exit Device Hub Rotation:	Adjustable up to 90° clockwise for right hand (adjustable cam)

Mechanical Features

Construction:	Heavy-duty, cast front housing
Numeric Keypad:	Vandal resistant, solid metal pushbuttons
Handing:	For non-handed or clockwise-rotating (adjustable up to 90°) Exit Device hubs only
Finish:	Satin Chrome 26D (626)
Control:	6-pin tumbler cylinder keys for combination change access; keyed differently; optional keyed alike or master keyed
Latch:	Not supplied (see compatibility list on previous page)
Strike:	Not supplied (supplied with exit device)
Minimum Stile Recommended:	3 1/8" (79 mm)
Weight:	3.5 lbs. (1.6 kg)

Installation

Door Preparation:	Exit Device preparation may require recessed through bolting; 2015 installation is based on centerline of mating exit device hub
Door Thickness:	1 3/8" (35 mm) to 2 1/2" (64 mm); optional 5" (127 mm) tailpiece (purchased separately)
Items Supplied Include:	Installation manual, full-scale template, combination change keys, and required lock installation hardware only

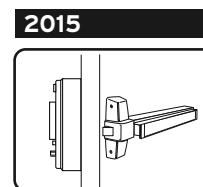
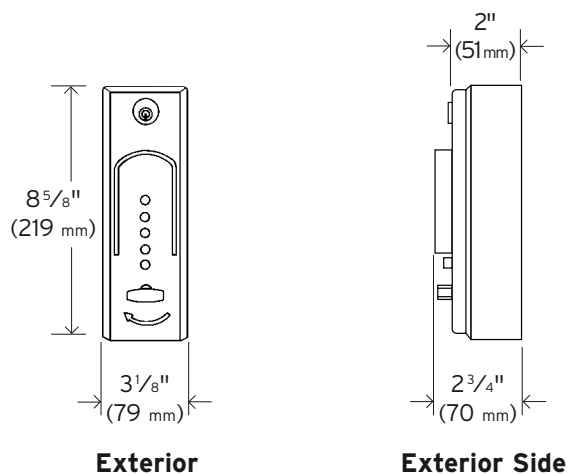
Certification and Testing

Durability:	Highly weather resistant
--------------------	--------------------------

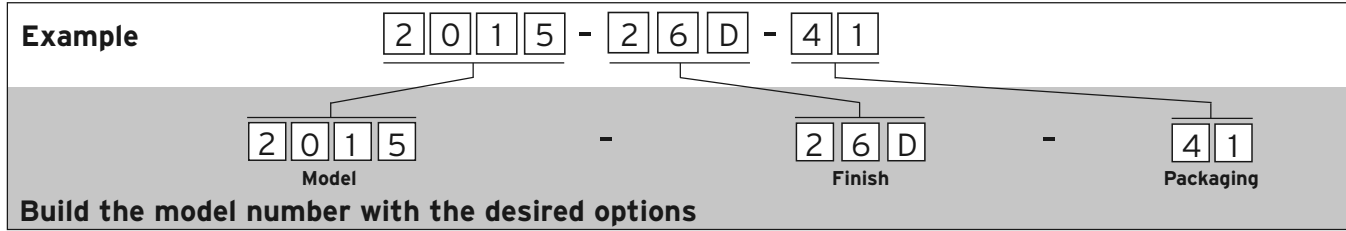
Warranty

Warranty:	1-year warranty
------------------	-----------------

Exit Trim



- Combination Entry
- Egress with Exit Device (Not Supplied)
- Compatible with Many Rim Mounted Exit Devices
- Exterior Combination Change (Only)



Base Model	Description
201526D41	Exit Trim with Thumbturn Style Knob *(Clockwise rotation only)

Notes

- + **Exit Device Compatibility**
 - American Device 6300 Series, 6303 Series
 - Corbin 21, 22, 25, 26NT, 27K, 29, 29-1/4, 29M2, 29-1/2M2, 29NTM2, 29D20, LA29, 39, 39EL, 39LLD, 390, LA39
 - Detex Advantex Series 10, 20, 21, 40, 50, 51
 - Magno Krom LHR only: 500-4, 550-4, 650-4, 1500-4, 1550-4, 1650-4; RHR only: 600-3
 - Monarch 18RBA, 18RP, 18VP, F18RBA, F18RP, F18VP, FXXR-BA, FXXRP, FXXVP, XXRBA, XXRP, XXVP
 - Precision Hardware FL-D103; RHRB only 810-H; RH or LH: 103, R103, D203, H-203, 1103, D1203, H1203
 - Russwin 365, 3651/4, LT365, 370, 372, LA372, 375, LT375, 377, 382, 384, 385, 388, 572, 572EL, 572ELD, U572, LA572
 - Sargent 2813, 2804, 6804, 12-6804, 9804RHRB, 12-9804LHRB, 9898E, 9898K
 - Von Duprin 22 Rim, 22 Rim-F, 88 Rim, 88 Rim-F, 98 Rim, 98 Rim-F, 99 Rim, 99 Rim-F; 2227, 2227-F, 9827, 9827-F, 9847, 9847-F, 9927-F, 9947-F; Yale 1500 Series, 7000 Series

• **Cannot be used with surface-mounted Exit Devices with counterclockwise rotating hubs, with thumb-operated Mortise design Exit Devices, or most vertical rod Exit Devices**

ATTENTION: Compatibility is subject to change if modifications are made by Exit Device manufacturers without Kaba Access Control's knowledge

Exit Device (not included)

Simplex® 2015 Series

Model	Description
54266	Blank Keys
54266-1-11	Master Keys for key override models. (Old #54266-1) (Specify Keycut)
54266-2-11	Service Keys for override models. (Old #54266-2) (Specify Keycut)

Simplex® 6200 Series

Model	Description
55072-03-01	Filler Plate—Bright Brass
55072-26D-01	Filler Plate—Satin Chrome
55072-19-01	Filler Plate—Black

Simplex® 900 Series

Model	Description
800-04-41	Adapter kit for doors with metal frames. Includes riser plates and surface mounted strike. Finish 04 Satin Brass; packaged 1 per box. (Old #74464/74468)
800-26D-41	Adapter kit for doors with metal frames. Includes riser plates and surface mounted strike. Finish 26D Satin Chrome; packaged 1 per box. (Old #74464/74468)
805-26D-41	Face plate shield. Not for use with key override models. Inhibits unauthorized observation of the combination. Finish 26D Satin Chrome; packaged 1 per box. (Old #24081-000-01)
54266	Blank Keys
54266-1-11	Master Keys for key override models. (Old #54266-1) (Specify Keycut)
54266-2-11	Service Keys for key override models (Old # 54266-2) (Specify Keycut)

Simplex® 1000, L1000 & 5000 Cores & Wrap Plates

Model	Description
204231-03-41	Wrap Plate, 10 ½" (267 mm), Bright Brass (605)
204231-05-41	Wrap Plate, 10 ½" (267 mm), Antique Brass (609)
204231-26D-41	Wrap Plate, 10 ½" (267 mm), Satin Chrome (626)
204232-03-41	Wrap Plate, 15" (381 mm), Bright Brass (605)

204232-05-41	Wrap Plate, 15" (381 mm), Antique Brass (609)
204232-26D-41	Wrap Plate, 15" (381 mm), Satin Chrome (626)
20484-03-01	Best Equivalent SFIC Bright Brass (605)
201484-05-01	Best Equivalent SFIC Satin Brass (609)
201484-26D-01	Best Equivalent SFIC Satin Chrome (626)
201600-083-01	Anti-Spy Shield (1000/L1000 Models Only)
204022-000-01	Latch Extension Assembly converts to 3¾" (10 cm) Backset
204023-000-01	Latch Extension Assembly converts to 5" (13 cm) Backset
54644-000-41	Weather Cover (smoke colored)
64754-000-01	Lubriplate Aero Grease Tubes (1.75 oz tubes) 150°F to -70°F (66°C to -57°C)
64684-26D-01	Installation Jig (1000/L1000/5000/E5000)

Simplex® Mounts*

Model	Description
204246-000-41	LD Series—450 & 470 Dual Mount
04083-000-41	8100 Series
204086-000-41	EE1000 Series
204087-000-41	LP1000 Series
203053-000-41	900 Series— 904 & 919 Dual Mount
204189-000-41	7100 Series— 7108 & 7104 Dual Mount
204092-000-41	7100 Series—(7106 Series Only)
204094-000-41	6200 Series
204096-000-41	2015 Series
203044-000-41	1000, L1000, 5000 Series
74378-CH	3000 Series Narrow Stile
SP5000 ACLMT	Simplex 5000 Acrylic Mount

* Mounts do not include locks

Hardwood product demonstration mount, packaged 1 per box.