



- PIN Access
- Mechanical Pushbutton Lock
- Single Access Code
- Cylindrical
- Thumbturn

Features

Access Control:	Mechanical pushbutton lock—eliminates problems and costs associated with issuing, controlling, and collecting keys and cards. Provides fully mechanical exterior access by combination, while allowing free egress at all times by interior knob.
No Battery:	Fully mechanical lock eliminates the material and labor expense of battery replacements
Locking Device Options:	Cylindrical latch with 3-hour UL/ULC fire rating for "A" labeled doors
Number of Codes:	Single access code—one easy to manage code for all users
Programming:	Lock is easily programmed via keypad without removing lock from the door
Handing:	Factory-handed left; easily field reversible
Operation Modes:	Single credential—access
Economical:	A cost effective access control solution

Mechanical Features

Construction:	All metal cast front housing, force-proof, clutch-protected exterior thumbturn, unified interior trim plate, fixed interior knob
Numeric Keypad:	Vandal resistant, solid metal pushbuttons
Handing:	Factory-handed left; easily field reversible
Finishes:	Hard durable powder paint finishes: Gold Tone (60), Almond (67), Black (85), and Gray (86)
Latch:	½" (13 mm) throw latch, floating or flat face plate (light-duty or UL listed options)
Backset:	2 ¾" (70 mm) or 2 ⅜" (60 mm) backset
Minimum Stile Recommended:	5" (127 mm)
Weight:	4.5 lbs. (2 kg)
Strike:	Standard strike plate

Installation

Installation:	ASA 161 door preparation with 2 additional through bore holes. Lock can be inverted if the existing auxiliary lock obstructs installation
Door Thickness:	1 ⅜" (35 mm) to 2 ¼" (57mm); wood or metal
Items Supplied Include:	Installation manual, full-scale template, combination change tool and required installation hardware

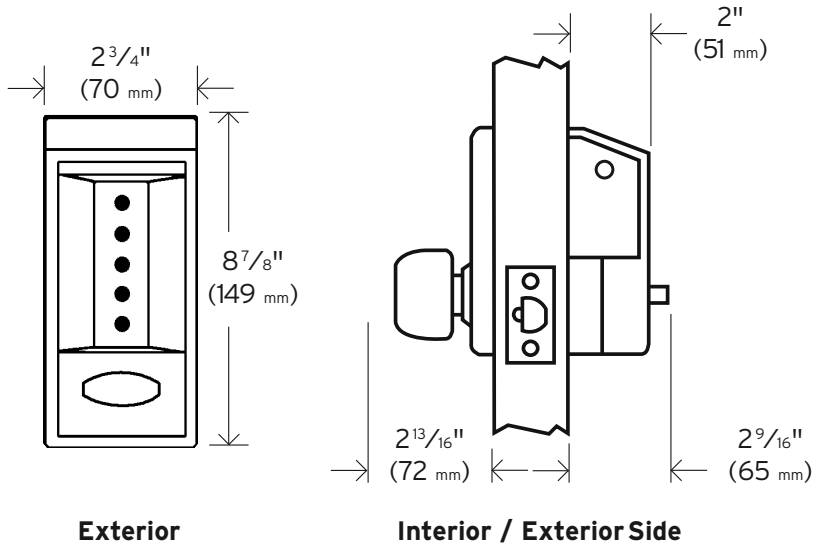
Certification and Testing

Fire Rating:	3-hour UL/ULC Fire rating for "A" labeled doors (select models—see latch options)
Durability:	Highly weather resistant

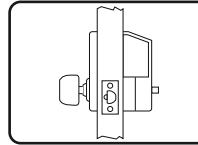
Warranty

Warranty: 1-year warranty

Cylindrical

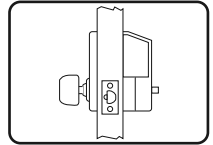


Model 6202



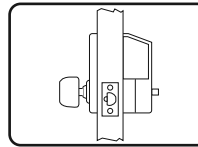
- Combination Entry
- $\frac{1}{2}$ " (13 mm) Throw
- Floating Face Plate
- Backset $2\frac{3}{8}$ " (60 mm)
- Primary Lock

Model 6204



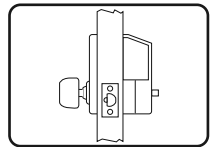
- Combination Entry
- $\frac{1}{2}$ " (13 mm) Throw
- Floating Face Plate
- Backset $2\frac{3}{4}$ " (70 mm)
- Primary Lock

Model 6214

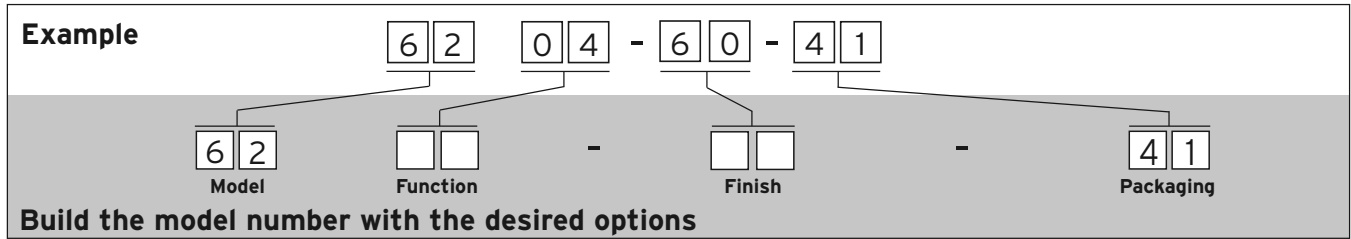


- Combination Entry
- $\frac{1}{2}$ " (13 mm) Throw
- Flat Face Plate
- Backset $2\frac{3}{4}$ " (70 mm)
- Primary Lock

Model 6218



- Combination Entry
- $\frac{1}{2}$ " (13 mm) Throw
- Flat Face Plate
- Backset $2\frac{3}{8}$ " (60 mm)
- Primary Lock



Base Model	Description
62046041	Cylindrical Lock with Exterior Thumbturn, Internal Knob, 2 ³ / ₄ " (70 mm) Backset

Choose one option from each category

Function Options	Description
02	Cylindrical 1/2" (13 mm) throw latch, floating face plate, 2 ³ / ₈ " (60 mm) backset (UL listed)
04	Cylindrical 1/2" (13 mm) throw latch, floating face plate, 2 ³ / ₄ " (70 mm) backset (UL listed)
14	Cylindrical 1/2" (13 mm) throw latch, flat face plate, 2 ³ / ₄ " (70 mm) backset
18	Cylindrical 1/2" (13 mm) throw latch, flat face plate, 2 ³ / ₈ " (60 mm) backset

Finish Options	Description
60	Gold Tone (Powder Paint)
67	Almond (Powder Paint)
85	Black (Powder Paint)
86	Grey (Powder Paint)

Simplex® 2015 Series

Model	Description
54266	Blank Keys
54266-1-11	Master Keys for key override models. (Old #54266-1) (Specify Keycut)
54266-2-11	Service Keys for override models. (Old #54266-2) (Specify Keycut)

Simplex® 6200 Series

Model	Description
55072-03-01	Filler Plate—Bright Brass
55072-26D-01	Filler Plate—Satin Chrome
55072-19-01	Filler Plate—Black

Simplex® 900 Series

Model	Description
800-04-41	Adapter kit for doors with metal frames. Includes riser plates and surface mounted strike. Finish 04 Satin Brass; packaged 1 per box. (Old #74464/74468)
800-26D-41	Adapter kit for doors with metal frames. Includes riser plates and surface mounted strike. Finish 26D Satin Chrome; packaged 1 per box. (Old #74464/74468)
805-26D-41	Face plate shield. Not for use with key override models. Inhibits unauthorized observation of the combination. Finish 26D Satin Chrome; packaged 1 per box. (Old #24081-000-01)
54266	Blank Keys
54266-1-11	Master Keys for key override models. (Old #54266-1) (Specify Keycut)
54266-2-11	Service Keys for key override models (Old # 54266-2) (Specify Keycut)

Simplex® 1000, L1000 & 5000 Cores & Wrap Plates

Model	Description
204231-03-41	Wrap Plate, 10 ½" (267 mm), Bright Brass (605)
204231-05-41	Wrap Plate, 10 ½" (267 mm), Antique Brass (609)
204231-26D-41	Wrap Plate, 10 ½" (267 mm), Satin Chrome (626)
204232-03-41	Wrap Plate, 15" (381 mm), Bright Brass (605)

204232-05-41	Wrap Plate, 15" (381 mm), Antique Brass (609)
204232-26D-41	Wrap Plate, 15" (381 mm), Satin Chrome (626)
20484-03-01	Best Equivalent SFIC Bright Brass (605)
201484-05-01	Best Equivalent SFIC Satin Brass (609)
201484-26D-01	Best Equivalent SFIC Satin Chrome (626)
201600-083-01	Anti-Spy Shield (1000/L1000 Models Only)
204022-000-01	Latch Extension Assembly converts to 3¾" (10 cm) Backset
204023-000-01	Latch Extension Assembly converts to 5" (13 cm) Backset
54644-000-41	Weather Cover (smoke colored)
64754-000-01	Lubriplate Aero Grease Tubes (1.75 oz tubes) 150°F to -70°F (66°C to -57°C)
64684-26D-01	Installation Jig (1000/L1000/5000/E5000)

Simplex® Mounts*

Model	Description
204246-000-41	LD Series—450 & 470 Dual Mount
04083-000-41	8100 Series
204086-000-41	EE1000 Series
204087-000-41	LP1000 Series
203053-000-41	900 Series— 904 & 919 Dual Mount
204189-000-41	7100 Series— 7108 & 7104 Dual Mount
204092-000-41	7100 Series—(7106 Series Only)
204094-000-41	6200 Series
204096-000-41	2015 Series
203044-000-41	1000, L1000, 5000 Series
74378-CH	3000 Series Narrow Stile
SP5000 ACLMT	Simplex 5000 Acrylic Mount

* Mounts do not include locks

Hardwood product demonstration mount, packaged 1 per box.