



- **PIN Access**
- **Mechanical Pushbutton**
- **Single Access Code**
- **Mortise**
- **Lever**

Features

Access Control:	Mechanical pushbutton lock—eliminates problems and costs associated with issuing, controlling, and collecting keys and cards. Provides exterior access by combination, while allowing free egress.
No Battery:	Fully mechanical lock eliminates the material and labor expense of battery replacements
Locking Device Options:	Mortise with 1" (25 mm) deadbolt, ¾" (19 mm) two-piece anti-friction latch Mortise with ¾" (19 mm) two-piece anti-friction latch
Number of Codes:	Single access code—one easy to manage code for all users
Programming:	Lock is easily programmed via keypad without removing lock from the door
Handing:	Factory handed; not field reversible
Key Override (Optional):	Small format interchangeable cores, large format removable cores
Operation Modes:	Single credential—access Passage (select models)—Allows access without using the lock entry code Feature activated from the inside with a thumbturn or key (included with all passage feature models) Deadbolt (select models)—Added security of 1" deadbolt Lockout (all models)—Disables the lock from the inside so that the entry codes can not be used to gain access. Access is permitted using key override.
Economical:	A cost effective access control solution

Mechanical Features

Construction:	Cast front housing; unified trim plate; fixed ADA-compliant levers
Numeric Keypad:	Vandal resistant, solid metal pushbuttons
Handing:	Factory handed; not field reversible
Finishes:	Bright Chrome 026 (625), Bright Brass 03 (605), Antique Brass 05 (609), and Satin Chrome 26D (626)
Backset:	2 ¾" (70 mm)
Latch:	¾" (19 mm) two-piece anti-friction latch; accommodates ½" (13 mm) throw, 1" (25 mm) optional deadbolt
Minimum Stile Recommended:	5" (127 mm)
Weight:	9.8 lbs. (3.7 kg)
Strike:	4 ⅞" (124 mm) L x 1 ¼" (32 mm) W x ¼" (6 mm) D Deadbolt/Latch mortise strike plate

Key Override

Interchangeable Cores:	Small format–Best and equivalents (6 or 7-pin length)
Removable Cores:	Large format–Medeco/ASSA/Yale (5 or 6-pin length), Corbin Russwin, Schlage, and Sargent

Installation

Door Preparation:	Easily installs on wood or metal doors. Standard (86) mortise preparation
Door Thickness:	1 3/4" (44 mm) to 2 1/4" (57 mm)
Items Supplied Include:	Lock assembly, installation manual, full-scale template, combination change tool, and required installation hardware

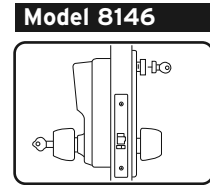
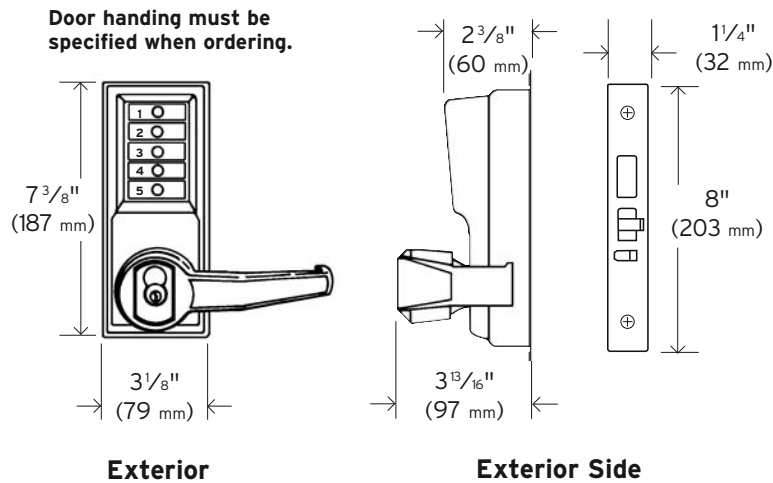
Certification and Testing

Accessibility Standard:	Americans with Disabilities Act (ADA)
Durability:	Highly weather resistant
Fire Rating:	3-hour UL/ULC fire rating for "A" labeled doors

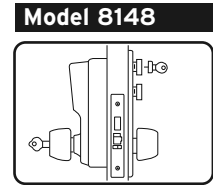
Warranty

Warranty:	3-year warranty
------------------	-----------------

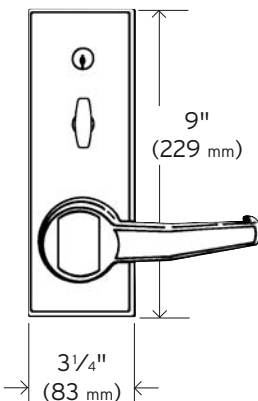
Mortise

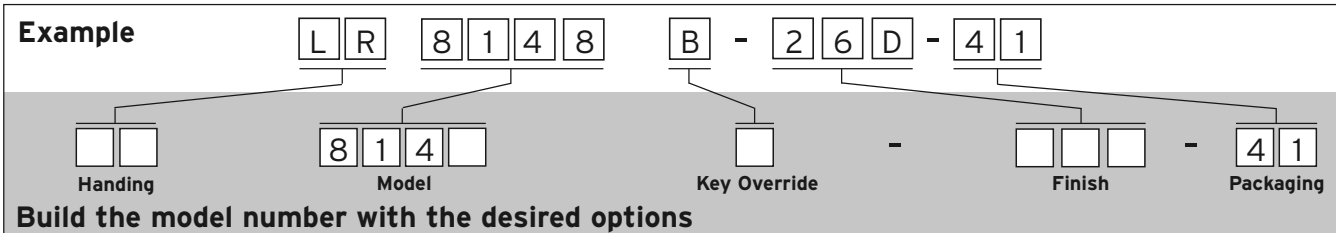


- Combination Entry
- Key Override (not supplied)
- Passage
- Lockout



- Combination Entry
- Key Override (not supplied)
- Passage
- Lockout
- Deadbolt





Base Model	Description
LR8146B26D41	Mortise Lock with Lever, Best Key Override, Passage, Lockout

Finish Options	Description
026	Bright Chrome (625)
03	Bright Brass (605)
05	Antique Brass (609)
26D	Satin Chrome (626)

Choose one option from each category

Handing Options	Description
L	Left Hand
LR	Left Hand Reverse
R	Right Hand
RR	Right Hand Reverse

Function Options	Description
6	Combination Entry, Key Override, Passage, Lockout
8	Combination Entry, Key Override, Passage, Lockout, Deadbolt

Key Override Options+		
	Description	
B	I/C	Best and Equivalents (6 or 7-pin Length)
C	R/C	Corbin Russwin
M ⁺⁺	R/C	Medeco/ASSA/Yale (5 or 6-pin Length)
R	R/C	Sargent
S	R/C	Schlage

Notes

+ Interchangeable/Removable core cylinders are not included with the lock

**** Medeco/ASSA/Yale (5 and 6-pin length)**
 5 and 6-pin Medeco/ASSA cylinders require a special knob spacer (Included in Package)

Simplex® 2015 Series

Model	Description
54266	Blank Keys
54266-1-11	Master Keys for key override models. (Old #54266-1) (Specify Keycut)
54266-2-11	Service Keys for override models. (Old #54266-2) (Specify Keycut)

Simplex® 6200 Series

Model	Description
55072-03-01	Filler Plate—Bright Brass
55072-26D-01	Filler Plate—Satin Chrome
55072-19-01	Filler Plate—Black

Simplex® 900 Series

Model	Description
800-04-41	Adapter kit for doors with metal frames. Includes riser plates and surface mounted strike. Finish 04 Satin Brass; packaged 1 per box. (Old #74464/74468)
800-26D-41	Adapter kit for doors with metal frames. Includes riser plates and surface mounted strike. Finish 26D Satin Chrome; packaged 1 per box. (Old #74464/74468)
805-26D-41	Face plate shield. Not for use with key override models. Inhibits unauthorized observation of the combination. Finish 26D Satin Chrome; packaged 1 per box. (Old #24081-000-01)
54266	Blank Keys
54266-1-11	Master Keys for key override models. (Old #54266-1) (Specify Keycut)
54266-2-11	Service Keys for key override models (Old # 54266-2) (Specify Keycut)

Simplex® 1000, L1000 & 5000 Cores & Wrap Plates

Model	Description
204231-03-41	Wrap Plate, 10 ½" (267 mm), Bright Brass (605)
204231-05-41	Wrap Plate, 10 ½" (267 mm), Antique Brass (609)
204231-26D-41	Wrap Plate, 10 ½" (267 mm), Satin Chrome (626)
204232-03-41	Wrap Plate, 15" (381 mm), Bright Brass (605)

204232-05-41	Wrap Plate, 15" (381 mm), Antique Brass (609)
204232-26D-41	Wrap Plate, 15" (381 mm), Satin Chrome (626)
20484-03-01	Best Equivalent SFIC Bright Brass (605)
201484-05-01	Best Equivalent SFIC Satin Brass (609)
201484-26D-01	Best Equivalent SFIC Satin Chrome (626)
201600-083-01	Anti-Spy Shield (1000/L1000 Models Only)
204022-000-01	Latch Extension Assembly converts to 3¾" (10 cm) Backset
204023-000-01	Latch Extension Assembly converts to 5" (13 cm) Backset
54644-000-41	Weather Cover (smoke colored)
64754-000-01	Lubriplate Aero Grease Tubes (1.75 oz tubes) 150°F to -70°F (66°C to -57°C)
64684-26D-01	Installation Jig (1000/L1000/5000/E5000)

Simplex® Mounts*

Model	Description
204246-000-41	LD Series—450 & 470 Dual Mount
04083-000-41	8100 Series
204086-000-41	EE1000 Series
204087-000-41	LP1000 Series
203053-000-41	900 Series— 904 & 919 Dual Mount
204189-000-41	7100 Series— 7108 & 7104 Dual Mount
204092-000-41	7100 Series—(7106 Series Only)
204094-000-41	6200 Series
204096-000-41	2015 Series
203044-000-41	1000, L1000, 5000 Series
74378-CH	3000 Series Narrow Stile
SP5000 ACLMT	Simplex 5000 Acrylic Mount

* Mounts do not include locks

Hardwood product demonstration mount, packaged 1 per box.