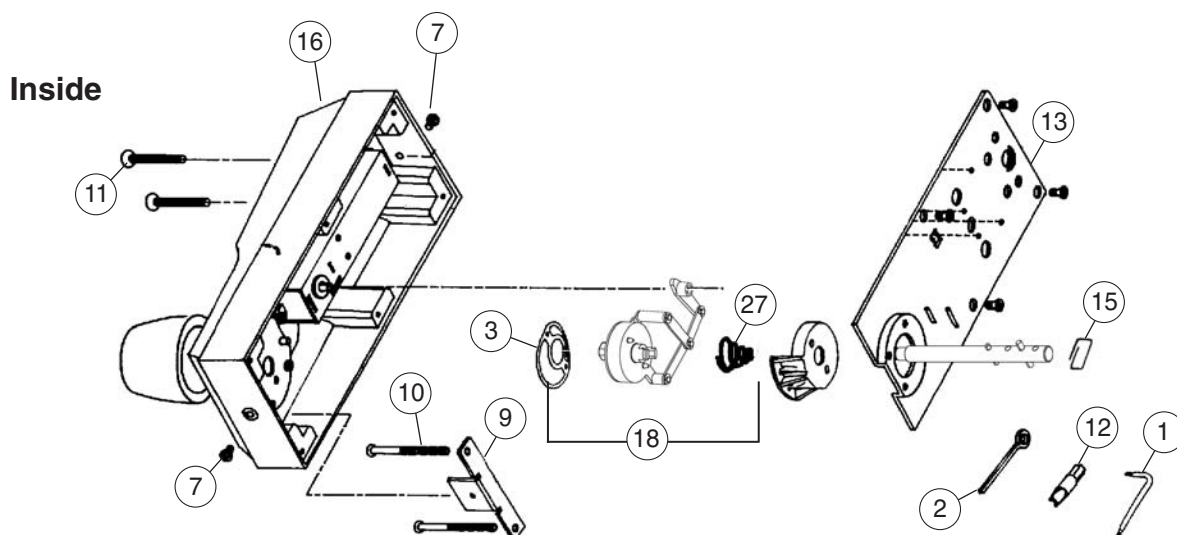
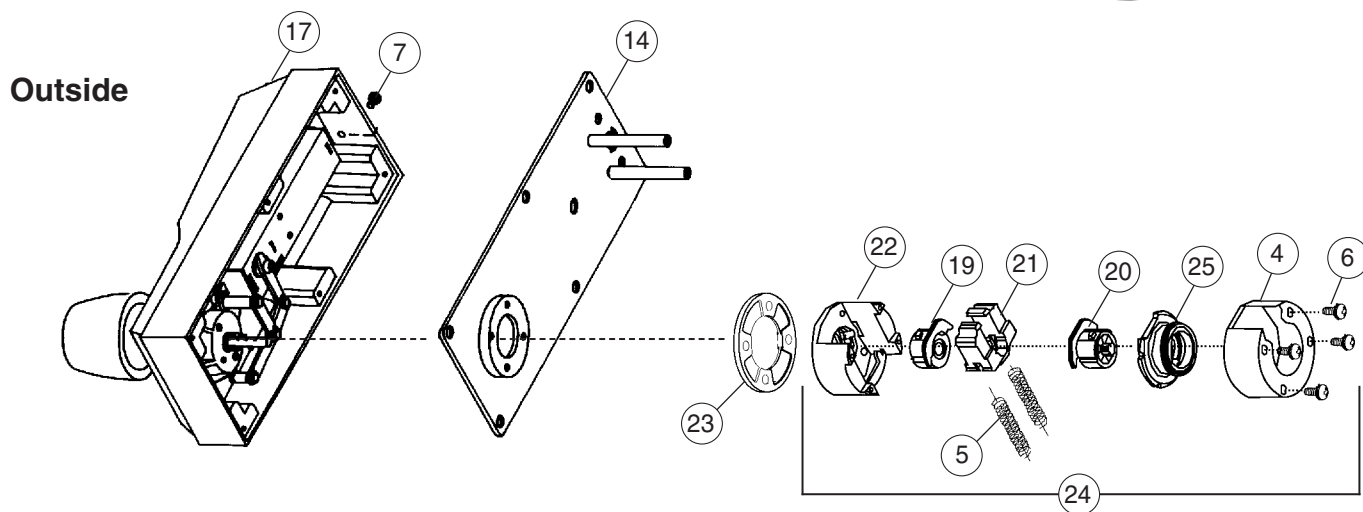


# Simplex EE1000 Series



See inside front cover for  
How to Order instructions

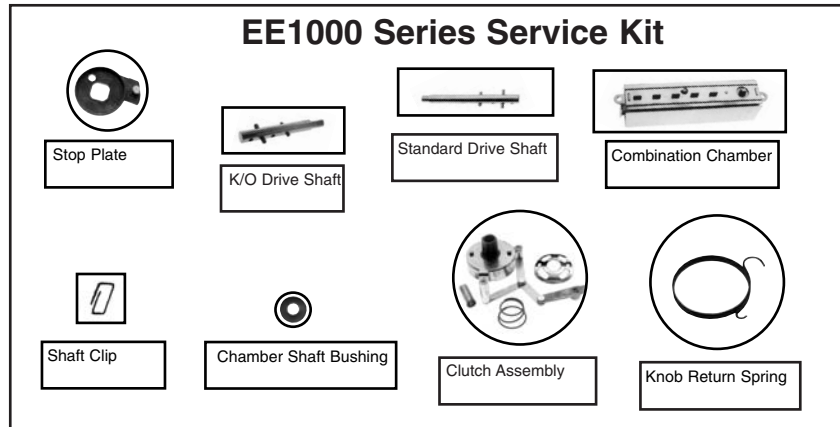
## EE1000 Series Service Kit

### Parts Included in Kit

- Chamber Shaft Bushing
- Clutch Assembly
- Combination Chamber
- Drive Shaft (No Key Override)
- Drive Shaft (Key Override)
- Drive Shaft Retainer Clip
- Return Spring
- Stop Plate
- Shaft Retainer Clip (must be used)

**203036-000-01 \$125.00 each**

\* Requires two (2) kits to service both sides of lock.



Item	Qty/Lock	Description	Finish	Part Number	List Prices (USD)
1	1	Torx Anti-Tamper Tool Wrench (Includes 1 ea #1, #2, #7)	Satin Chrome	74543-26D-01	\$12.00
			Bright Brass	74543-03-01	\$12.00
2	1	Code Change Pick (Includes 1 ea #1, #2, #7)	Satin Chrome	74543-26D-01	\$12.00
			Bright Brass	74543-03-01	\$12.00
3	1	Double Wave Spring (Includes 1 ea #3, #27)		201016-000-01	\$10.00
4	1	Cover for Shoe Housing		201277-000-01	\$9.00
5	2	Shoe Springs		201366-000-10	\$9.00
6	4	Sems Screw Phillips 6-32 x 1/4" (11 mm) R.H.M.S. (For Spacer) (Includes 1 ea #23, #76; 2 ea #18, #83; 4 ea #20, #21, #22, #75)	Satin Chrome	204210-26D-01	\$10.00
			Bright Brass	204210-03-01	\$10.00
			Antique Brass	204210-05-01	\$10.00
7	3	Combination Change Screw	Satin Chrome	201871-26D-05	\$10.00
			Bright Brass	201871-03-05	\$10.00
8	2	Combination Change Bracket (For use on older models only)		201882-000-01	\$11.00
9	1	Angle Bracket		201905-000-01	\$18.00
10	2	Flat Phillips Head Screw 2 15/16" x 1/32"		201906-000-02	\$15.00
11	2	Spanner Screw – Tamper Proof		201907-000-10	\$20.00
12	1	2 - # 10 Size Insert Bit (fits #11)		201911-000-02	\$36.00
13	1	Inside Lock Cover Plate Assembly		201912-000-01	\$49.00
14	1	Outside Lock Cover Plate Assembly		201916-000-01	\$38.00
15	1	Retainer Clip (Drive Shaft)		201918-000-02	\$10.00
16	1	Housing (Inside)	Satin Chrome	201923-26D-01	\$87.00
			Bright Brass	201923-03-01	\$87.00
			Antique Brass	201923-05-01	\$87.00
17	1	Housing (Outside)	Satin Chrome	201924-26D-01	\$87.00
			Bright Brass	201924-03-01	\$87.00
			Antique Brass	201924-05-01	\$87.00
18	1	Clutch Assembly (EE only) (Includes 1 ea #3, #18, #27)		201956-000-01	\$36.00
19	1	Drive Insert		204015-000-01	\$21.00
20	1	Drive Insert (EE1000 Only)		204164-000-01	\$11.00
21	1	Retractor Shoe		204165-000-01	\$10.00
22	1	Shoe Retainer and Bridge		204199-000-01	\$33.00

## EE1000 Series (continued)

Item	Qty/Lock	Description	Finish	Part Number	List Prices (USD)
23	1	Spacer Kit (Includes #6, #23, various door thickness screws)	Satin Chrome	204210-26D-01	\$10.00
			Bright Brass	204210-03-01	\$10.00
			Antique Brass	204210-05-01	\$10.00
24	1	Cylindrical Drive Unit Assembly (Includes 1 ea #19, #20, #21, #22, #25, #28; 2 ea #5; 4 ea #6)		204208-000-01	\$97.00
25	1	Shoe Retainer Cap Assembly		204209-000-01	\$28.00
26	1	Installation Hardware Kit (Not Shown in exploded view)	Bright Brass	204212-03-11	\$49.00
			Antique Brass	204212-05-11	\$48.00
			Satin Chrome	204212-26D-11	\$48.00
27	1	Clutch Balance Spring (Includes 1 ea #3, #27)		201016-000-01	\$10.00

### Notes

- See 1000 Series Exploded View and Replacement Parts on Page 2-9 for parts not shown or numbered on this page.

- Service kit can be used on both sides of lock  
\*(Requires (2) kits to service both sides)

\* All EE1000 Series Locksets with a serial number consisting of three letters followed by five digits will no longer be using the code change bracket (Part No. 201882)

- Lubriplate Aero grease is the "only" lubricant that should be used.