



- PIN Access
- Mechanical Pushbutton
- Single Access Code
- Exit Trim
- Lever

Features

Access Control:	Mechanical pushbutton lock—eliminates problems and costs associated with issuing, controlling, and collecting keys and cards. Provides exterior access by combination, while allowing free egress with exit device (not supplied).
No Battery:	Fully mechanical lock eliminates the material and labor expense of battery replacements
Locking Device Options:	<u>Rim Exit Device:</u> Compatible with most leading brands of exit devices—see list below (Exit Device and Mounting hardware not included)
Exit Device Compatibility:	<ul style="list-style-type: none"> • Von Duprin Exit Only (EO) or Exit Only Fire (EOF) 22, 88 NL, 98, 99, 987, 9957 • Dorma 9100, 9300, 9400 • Detex Advantex Series 10, 20, 21 40, 50, 51 • Monarch XX-R*, FXX-R, 18-R*, F-18-R*, XX-V*, F-XX-V*, 18-V*, F-18-V* (* Requires special k-hub adapter) <p>• Cannot be used with mortise design or most vertical rod Exit Devices</p> <p>ATTENTION: Compatibility is subject to change if modifications are made by Exit Device manufacturers without Kaba Access Control's knowledge</p>
Number of Codes:	Single access code—one easy to manage code for all users Exit Device may be dogged without affecting the LP1000
Handing:	Factory handed; not field reversible
Key Override (Optional):	Small format interchangeable cores, large format removable cores
Operation Modes:	Single credential—access
Economical:	A cost effective access control solution

Mechanical Features

Construction:	Heavy-duty cast front housing; heavy-duty mounting plate; fixed ADA-compliant lever
Numeric Keypad:	Vandal resistant, solid metal pushbuttons
Handing:	Factory handed; not field reversible
Finishes:	Bright Chrome 026 (625), Bright Brass 03 (605), Antique Brass 05 (609), and Satin Chrome 26D (626)
Latch & Exit Device:	Not supplied (See list for compatibility above)
Strike:	Supplied with Exit Device
Exit Device Hub Rotation:	Up to 60°, counterclockwise for left hand and clockwise for right hand
Tailpiece:	2 ¾" (70 mm) tailpiece for Exit Device operation from outside 5" (125 mm) tailpiece for freezer doors (purchased separately)
Minimum Stile Recommended:	5" (127 mm)
Weight:	8 lbs. (3.6 kg)

Key Override

Interchangeable Cores:	Small format–Best and equivalents (6 or 7-pin length)
Removable Cores:	Large format–Medeco/ASSA/Yale (5 or 6-pin length), Corbin Russwin, Schlage, and Sargent

Installation

Door Preparation:	Recessed through bolts may be required for exit device preparation
Door Thickness:	1 3/8" (35 mm) to 2 1/4" (57 mm); optional 5" (127 mm) tailpiece (purchased separately)
Items Supplied Include:	Installation manual, full-scale template, combination change tool, and required lock installation hardware only

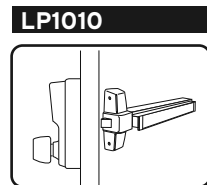
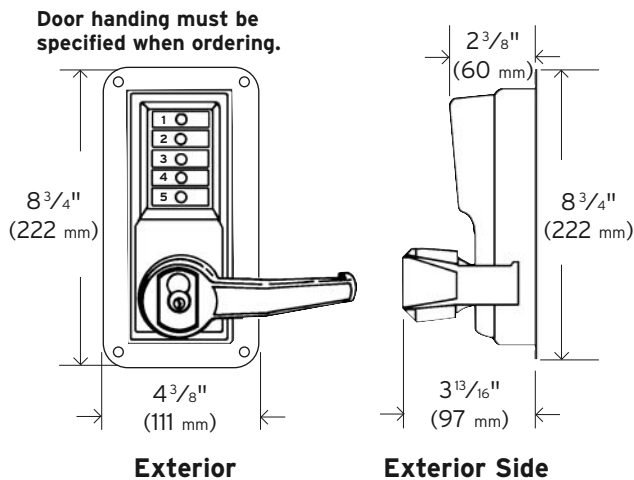
Certification and Testing

Accessibility Standard:	Americans with Disabilities Act (ADA)
Durability:	Highly weather resistant
Fire Rating:	3-hour UL/ULC fire rating for "A" labeled doors

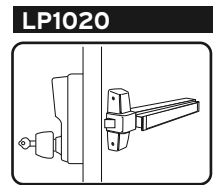
Warranty

Warranty:	3-year warranty
------------------	-----------------

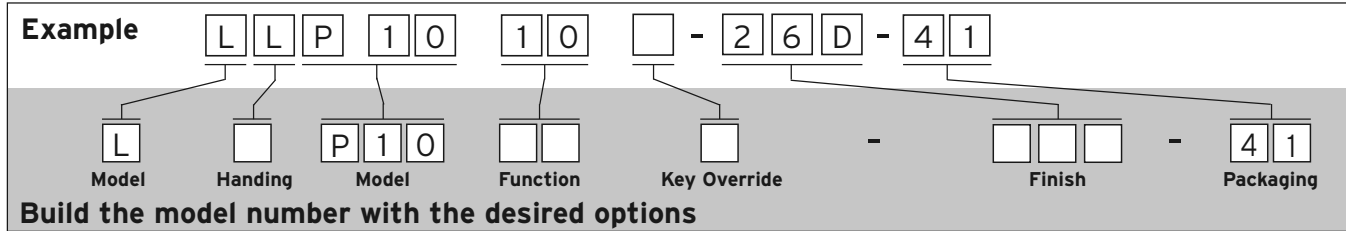
Exit Trim



- Combination Entry
- Egress with Exit Device (Not Supplied)
- Exterior Combination Change (Only)



- Combination Entry
- Egress with Exit Device (Not Supplied)
- Key Override (Not Supplied)
- Exterior Combination Change (Only)



Base Model	Description	Finish Options	Description
LLP101026D41	Exit Trim Lock with Lever, No Key Override*	026	Bright Chrome (625)
		03	Bright Brass (605)
		05	Antique Brass (609)
		26D	Satin Chrome (626)

Choose one option from each category

Handing Options	Description
L	Left Hand or Left Hand Reverse
R	Right Hand or Right Hand Reverse

Function Options	Description
10	Combination Entry Only
20	Combination Entry and Key Override

Key Override Options++	Description
B	I/C Best and Equivalent (6 or 7-pin Length)
C	R/C Corbin Russwin
M+++	R/C Medeco/ASSA/Yale (5 or 6-pin Length)
R	R/C Sargent
S	R/C Schlage

Notes

- + **Exit Device Compatibility**
 - Von Duprin Exit Only (EO) or Exit Only Fire (EOF) 22, 88 NL, 98, 99, 987, 9957
 - Dorma 9100, 9300, 9400
 - Detex Advantex Series 10, 20, 21 40, 50, 51
 - Monarch XX-R*, FXX-R, 18-R*, F-18-R*, XX-V*, F-XX-V*, 18-V*, F-18-V* (* Requires special k-hub adapter—**Contact Monarch**)
 - **Cannot be used with Mortise design or most vertical rod Exit Devices**
- ATTENTION: Compatibility is subject to change if modifications are made by Exit Device manufacturers without Kaba Access Control's knowledge**

++ **Interchangeable/Removable core cylinders are not included with the lock**

+++ **Medeco/ASSA/Yale (5 and 6-pin length)**
5 and 6-pin Medeco/ASSA cylinders require a special knob spacer (Included in Package)

Exit Device (not included)

Simplex® 2015 Series

Model	Description
54266	Blank Keys
54266-1-11	Master Keys for key override models. (Old #54266-1) (Specify Keycut)
54266-2-11	Service Keys for override models. (Old #54266-2) (Specify Keycut)

Simplex® 6200 Series

Model	Description
55072-03-01	Filler Plate—Bright Brass
55072-26D-01	Filler Plate—Satin Chrome
55072-19-01	Filler Plate—Black

Simplex® 900 Series

Model	Description
800-04-41	Adapter kit for doors with metal frames. Includes riser plates and surface mounted strike. Finish 04 Satin Brass; packaged 1 per box. (Old #74464/74468)
800-26D-41	Adapter kit for doors with metal frames. Includes riser plates and surface mounted strike. Finish 26D Satin Chrome; packaged 1 per box. (Old #74464/74468)
805-26D-41	Face plate shield. Not for use with key override models. Inhibits unauthorized observation of the combination. Finish 26D Satin Chrome; packaged 1 per box. (Old #24081-000-01)
54266	Blank Keys
54266-1-11	Master Keys for key override models. (Old #54266-1) (Specify Keycut)
54266-2-11	Service Keys for key override models (Old # 54266-2) (Specify Keycut)

Simplex® 1000, L1000 & 5000 Cores & Wrap Plates

Model	Description
204231-03-41	Wrap Plate, 10 ½" (267 mm), Bright Brass (605)
204231-05-41	Wrap Plate, 10 ½" (267 mm), Antique Brass (609)
204231-26D-41	Wrap Plate, 10 ½" (267 mm), Satin Chrome (626)
204232-03-41	Wrap Plate, 15" (381 mm), Bright Brass (605)

204232-05-41	Wrap Plate, 15" (381 mm), Antique Brass (609)
204232-26D-41	Wrap Plate, 15" (381 mm), Satin Chrome (626)
20484-03-01	Best Equivalent SFIC Bright Brass (605)
201484-05-01	Best Equivalent SFIC Satin Brass (609)
201484-26D-01	Best Equivalent SFIC Satin Chrome (626)
201600-083-01	Anti-Spy Shield (1000/L1000 Models Only)
204022-000-01	Latch Extension Assembly converts to 3¾" (10 cm) Backset
204023-000-01	Latch Extension Assembly converts to 5" (13 cm) Backset
54644-000-41	Weather Cover (smoke colored)
64754-000-01	Lubriplate Aero Grease Tubes (1.75 oz tubes) 150°F to -70°F (66°C to -57°C)
64684-26D-01	Installation Jig (1000/L1000/5000/E5000)

Simplex® Mounts*

Model	Description
204246-000-41	LD Series—450 & 470 Dual Mount
04083-000-41	8100 Series
204086-000-41	EE1000 Series
204087-000-41	LP1000 Series
203053-000-41	900 Series— 904 & 919 Dual Mount
204189-000-41	7100 Series— 7108 & 7104 Dual Mount
204092-000-41	7100 Series—(7106 Series Only)
204094-000-41	6200 Series
204096-000-41	2015 Series
203044-000-41	1000, L1000, 5000 Series
74378-CH	3000 Series Narrow Stile
SP5000 ACLMT	Simplex 5000 Acrylic Mount

* Mounts do not include locks

Hardwood product demonstration mount, packaged 1 per box.